

Specificații tehnice plăcuțe

Osie
Posterioară

WVA
24922

Lățime
103,7 mm

Grosime
17,3 mm

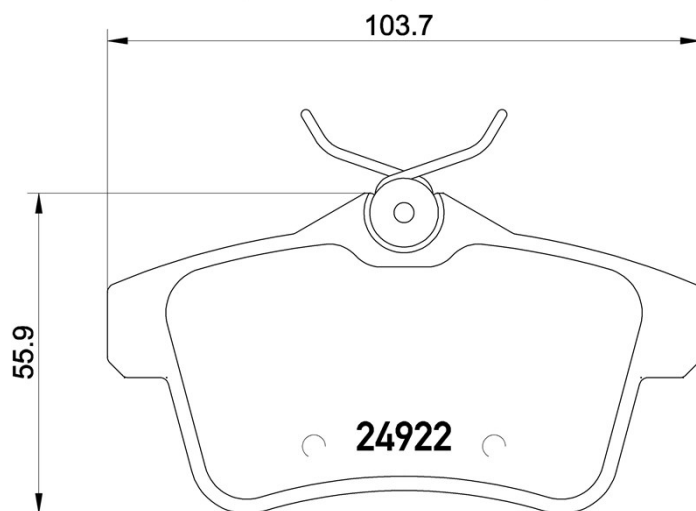
Înălțime
55,9 mm

Sistem de frânare
Lucas

Accesorii

Sezor uzură
Fără

Cod EAN
8020584109786



Autovehicule compatibile

CITROËN

Model	Tip	kW	An
C4 II (B7)	1.2 THP 110	81	02/15 -
C4 II (B7)	1.2 THP 130	96	04/14 -
C4 II (B7)	1.4 VTi 95	70	11/09 -
C4 II (B7)	1.6 BlueHDi 100	73	07/14 -
C4 II (B7)	1.6 BlueHDi 115	85	08/14 -
C4 II (B7)	1.6 BlueHDi 120	88	02/15 -
C4 II (B7)	1.6 HDi 110	82	11/09 -
C4 II (B7)	1.6 HDi 115	84	07/12 -
C4 II (B7)	1.6 HDi 90	68	11/09 -
C4 II (B7)	1.6 THP 155	115	11/09 -

C4 II (B7)	1.6 VTi 120	88	11/09 -
C4 II (B7)	1.6 VTi 120 LPG	88	09/11 -
C4 II (B7)	2.0 HDi / BlueHDi 150	110	11/09 -
C4 II Box Body / Hatchback (NC_)	1.6 BlueHDi	88	02/15 -
C4 II Box Body / Hatchback (NC_)	1.6 BlueHDi	73	07/14 -
C4 II Box Body / Hatchback (NC_)	1.6 HDi	68	06/10 -
C4 II Saloon	1.6	85	01/13 -
C4 II Saloon	1.6	88	01/13 -
C4 II Saloon	1.6 HDi	84	08/13 -
C4 II Saloon	1.6 THP	110	01/13 -
DS4	1.2 THP 130	96	07/14 07/15
DS4	1.6 BlueHDi 115	85	07/14 07/15
DS4	1.6 BlueHDi 120	88	07/14 07/15
DS4	1.6 HDi 110	82	04/11 07/15
DS4	1.6 HDi 115	84	08/12 07/15
DS4	1.6 HDi 90	68	05/11 07/15
DS4	1.6 THP 150	110	04/11 07/15
DS4	1.6 THP 155	115	04/11 07/15
DS4	1.6 THP 160	120	04/12 07/15
DS4	1.6 THP 165	121	01/12 07/15
DS4	1.6 THP 200	147	04/11 07/15
DS4	1.6 VTi 120	88	04/11 07/15
DS4	2.0 BlueHDi 150	110	07/14 07/15
DS4	2.0 BlueHDi 180	133	07/14 07/15
DS4	2.0 HDi / BlueHDi 135	100	09/11 07/15
DS4	2.0 HDi 165	120	04/11 07/15
DS5	1.6 BlueHDi 120	88	07/14 07/15
DS5	1.6 HDi	85	11/13 07/15
DS5	1.6 HDi 110	82	11/11 07/15
DS5	1.6 HDi 115	84	06/12 07/15
DS5	1.6 THP 150	110	11/11 07/15

DS5	1.6 THP 155	115	11/11 07/15
DS5	1.6 THP 165	121	01/12 07/15
DS5	1.6 THP 165 Hybrid	121	06/12 07/15
DS5	1.6 THP 200	147	11/11 07/15
DS5	2.0 BlueHDi 150	110	07/14 07/15
DS5	2.0 BlueHDi 180	133	08/13 07/15
DS5	2.0 HDi 135	100	11/11 07/15
DS5	2.0 HDi 165	120	11/11 07/15
DS5	2.0 HDi 165 Hybrid4 4x4	120	12/11 07/15
DS5	2.0 HDi 200 Hybrid4 All-wheel Drive	147	12/11 07/15

DS

Model	Tip	kW	An
DS 4 / DS 4 CROSSBACK	1.2 THP 130	96	07/15 -
DS 4 / DS 4 CROSSBACK	1.6 BlueHDi 100	73	04/16 -
DS 4 / DS 4 CROSSBACK	1.6 BlueHDi 120	88	07/15 -
DS 4 / DS 4 CROSSBACK	1.6 THP 165	121	07/15 -
DS 4 / DS 4 CROSSBACK	1.6 THP 210	155	07/15 -
DS 4 / DS 4 CROSSBACK	2.0 BlueHDi 150	110	07/15 -
DS 4 / DS 4 CROSSBACK	2.0 BlueHDi 180	133	07/15 -
DS 5	2.0 Hybrid4	147	04/15 -
DS 5	2.0 Hybrid4 4x4	120	04/15 -

DS (CAPSA)

Model	Tip	kW	An
DS 5 Hatchback	1.6 THP 160	120	09/13 -
DS 5 Hatchback	1.6 THP 200	147	09/13 12/15

PEUGEOT

Model	Tip	kW	An
3008 MPV (0U_)	1.2	96	01/15 08/16
3008 MPV (0U_)	1.6 BlueHDi 120	88	05/14 08/16
3008 MPV (0U_)	1.6 HDi	84	03/13 08/16
3008 MPV (0U_)	1.6 HDi	80	06/09 08/16
3008 MPV (0U_)	1.6 HDi	82	12/09 08/16

3008 MPV (0U_)	1.6 HDi 115 / BlueHDi 115	85	02/13 08/16
3008 MPV (0U_)	1.6 THP	120	09/10 08/16
3008 MPV (0U_)	1.6 THP	110	06/09 08/16
3008 MPV (0U_)	1.6 THP	115	06/09 08/16
3008 MPV (0U_)	1.6 Turbo	121	05/14 08/16
3008 MPV (0U_)	1.6 VTi	88	06/09 08/16
3008 MPV (0U_)	2.0 HDi	120	06/09 08/16
3008 MPV (0U_)	2.0 HDi	100	09/11 08/16
3008 MPV (0U_)	2.0 HDi 150 / BlueHDi 150	110	06/09 08/16
3008 MPV (0U_)	2.0 HDi Hybrid4	120	02/11 08/16
3008 MPV (0U_)	2.0 HDi Hybrid4	147	02/11 08/16
308 CC (4B_)	1.6 THP	147	10/10 12/14
5008 (0U_, 0E_)	1.2	96	01/15 -
5008 (0U_, 0E_)	1.6 16V	88	09/09 -
5008 (0U_, 0E_)	1.6 16V	115	09/09 -
5008 (0U_, 0E_)	1.6 BlueHDi 120	88	05/14 03/17
5008 (0U_, 0E_)	1.6 HDi	84	03/13 -
5008 (0U_, 0E_)	1.6 HDi	82	08/10 -
5008 (0U_, 0E_)	1.6 HDi	80	09/09 -
5008 (0U_, 0E_)	1.6 THP 150	110	02/12 -
5008 (0U_, 0E_)	1.6 THP 163	120	02/12 -
5008 (0U_, 0E_)	1.6 THP 165	121	02/12 -
5008 (0U_, 0E_)	2.0 HDi	120	09/09 -
5008 (0U_, 0E_)	2.0 HDi 136 / BlueHDi 136	100	02/12 -
5008 (0U_, 0E_)	2.0 HDi 150 / BlueHDi 150	110	06/09 -
508 I (8D_)	1.6 BlueHDi 120	88	03/14 -
508 I (8D_)	1.6 HDi	84	02/12 -
508 I (8D_)	1.6 HDi	85	09/14 -
508 I (8D_)	1.6 HDi	82	11/10 -
508 I (8D_)	1.6 THP	120	01/12 -
508 I (8D_)	1.6 THP	110	11/10 -

508 I (8D_)	1.6 THP	115	11/10 -
508 I (8D_)	1.6 VTi	85	11/10 -
508 I (8D_)	1.6 VTi	88	11/10 -
508 I (8D_)	2.0 HDi	100	11/10 -
508 I (8D_)	2.0 HDi	103	11/10 -
508 I (8D_)	2.0 HDi	120	11/10 -
508 I (8D_)	2.0 HDi Hybrid4 AWC	120	11/10 -
508 I (8D_)	2.0 HDi Hybrid4 AWC	147	11/10 -
508 I (8D_)	2.2 HDi	150	11/10 -
508 SWI (8E_)	1.6 BlueHDi 120	88	03/14 -
508 SWI (8E_)	1.6 HDi	85	09/14 -
508 SWI (8E_)	2.0 HDi 180 RXH	133	10/14 -
508 SWI (8E_)	2.0 HDi RXH Hybrid4	120	11/10 -
RCZ	1.6 16V	121	01/11 12/15
RCZ	1.6 16V	150	06/10 12/15
RCZ	1.6 16V	115	03/10 12/15
RCZ	1.6 16V	147	06/10 12/15
RCZ	1.6 THP 150	110	03/11 12/15
RCZ	1.6 THP 270	199	06/13 12/15
RCZ	2.0 HDi	120	03/10 12/15

PEUGEOT (DF-PSA)

Model	Tip	kW	An
3008	1.6 THP	120	01/13 12/14
3008	1.6 THP	123	10/14 -
3008	2.0	108	01/13 -

Coduri OE

Coduri OE compatibile

CITROËN	1608520680
CITROËN	1608681680
CITROËN	1616872780
CITROËN	425435

CITROËN	425444
CITROËN	425446
DS	1608520680
DS	1608681680
DS	425444
DS	425446
PEUGEOT	1608520680
PEUGEOT	1611838080
PEUGEOT	1617272680
PEUGEOT	425435
PEUGEOT	425444
PEUGEOT	425446