

Specificații tehnice plăcuțe

Osie
Anterioară

WVA
25070,25069

Lățime
179,9 mm

Grosime
17 mm

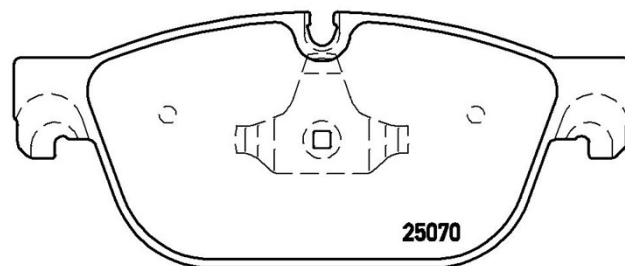
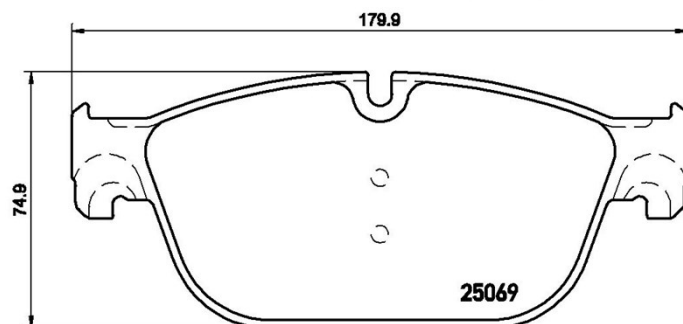
Înălțime
74,9 mm

Sistem de frânare
Teves

Accesorii
Cu dema pistonului

Sezor uzură
Cu locaș

Cod EAN
8020584109878



Autovehicule compatibile

CITROËN				
Model	Tip	kW	An	
C5 III (RD_)	2.0 HDi 180	133	03/15 -	
C5 III (RD_)	3.0 HDi 240	177	04/09 10/14	
C5 III Break (RW_)	2.0 HDi 180	133	03/15 -	
C5 III Break (RW_)	3.0 HDi 240	177	04/09 10/14	
C6 (TD_)	3.0 HDi	177	04/09 12/12	
DS4	2.0 BlueHDi 150	110	07/14 07/15	
DS4	2.0 BlueHDi 180	133	07/14 07/15	
DS4	2.0 HDi / BlueHDi 135	100	09/11 07/15	

DS4	2.0 HDi 165	120	04/11 07/15
DS5	1.6 BlueHDi 120	88	07/14 07/15
DS5	1.6 HDi	85	11/13 07/15
DS5	1.6 HDi 115	84	06/12 07/15
DS5	1.6 THP 150	110	11/11 07/15
DS5	1.6 THP 165	121	01/12 07/15
DS5	1.6 THP 165 Hybrid	121	06/12 07/15
DS5	2.0 BlueHDi 150	110	07/14 07/15
DS5	2.0 BlueHDi 180	133	08/13 07/15
DS5	2.0 HDi 135	100	11/11 07/15
DS5	2.0 HDi 200 Hybrid4 All-wheel Drive	147	12/11 07/15

DS

Model	Tip	kW	An
DS 4 / DS 4 CROSSBACK	1.6 THP 210	155	07/15 -
DS 4 / DS 4 CROSSBACK	2.0 BlueHDi 180	133	07/15 -
DS 5	1.6 BlueHDi 115	85	06/15 -
DS 5	1.6 BlueHDi 120	88	06/15 -
DS 5	1.6 THP 165	121	07/15 -
DS 5	1.6 THP 210	155	04/15 -
DS 5	2.0 BlueHDi 150	110	04/15 -
DS 5	2.0 BlueHDi 180	133	04/15 -
DS 5	2.0 Hybrid4	147	04/15 -
DS 5	2.0 Hybrid4 4x4	120	04/15 -

DS (CAPSA)

Model	Tip	kW	An
DS 5	1.6 THP 160	120	09/13 -
DS 5	1.6 THP 200	147	09/13 12/15

PEUGEOT

Model	Tip	kW	An
308 CC (4B_)	1.6 THP	147	10/10 12/14
508 I (8D_)	1.6 BlueHDi 120	88	03/14 12/18
508 I (8D_)	1.6 HDi	84	02/12 12/18

508 I (8D_)	1.6 HDi	85	09/14 12/18
508 I (8D_)	1.6 HDi	82	11/10 12/18
508 I (8D_)	1.6 THP	120	01/12 12/18
508 I (8D_)	1.6 THP	121	09/11 12/18
508 I (8D_)	1.6 THP	110	11/10 12/18
508 I (8D_)	1.6 THP	115	11/10 12/18
508 I (8D_)	1.6 VTi	85	11/10 12/18
508 I (8D_)	1.6 VTi	88	11/10 12/18
508 I (8D_)	2.0 BlueHDi 150	110	04/14 12/18
508 I (8D_)	2.0 BlueHDi 180	133	04/14 12/18
508 I (8D_)	2.0 HDi	100	11/10 12/18
508 I (8D_)	2.0 HDi	103	11/10 12/18
508 I (8D_)	2.0 HDi	120	11/10 12/18
508 I (8D_)	2.0 HDi Hybrid4 AWC	120	11/10 12/18
508 I (8D_)	2.0 HDi Hybrid4 AWC	147	11/10 12/18
508 I (8D_)	2.2 HDi	150	11/10 12/18
508 SWBox Body/Estate (8E_)	1.6 HDi	84	03/13 -
508 SWI (8E_)	1.6	121	02/12 12/18
508 SWI (8E_)	1.6 BlueHDi 120	88	03/14 12/18
508 SWI (8E_)	1.6 HDi	84	02/12 12/18
508 SWI (8E_)	1.6 HDi	85	09/14 12/18
508 SWI (8E_)	1.6 HDi	82	11/10 12/18
508 SWI (8E_)	1.6 THP	110	11/10 12/18
508 SWI (8E_)	1.6 THP	115	11/10 12/18
508 SWI (8E_)	1.6 VTi	85	11/10 12/18
508 SWI (8E_)	1.6 VTi	88	11/10 12/18
508 SWI (8E_)	2.0 BlueHDi 150	110	04/14 12/18
508 SWI (8E_)	2.0 BlueHDi 180	133	04/14 12/18
508 SWI (8E_)	2.0 HDi	100	11/10 12/18
508 SWI (8E_)	2.0 HDi	103	11/10 12/18
508 SWI (8E_)	2.0 HDi	120	11/10 12/18

508 SWI (8E_)	2.0 HDi 180 RXH	133	10/14 12/18
508 SWI (8E_)	2.0 HDi RXH Hybrid4	120	11/10 12/18
508 SWI (8E_)	2.2 HDi	150	11/10 12/18
RCZ	1.6 16V	147	06/10 12/15
RCZ	1.6 16V	150	06/10 12/15

PEUGEOT (DF-PSA)

Model	Tip	kW	An
508	1.6 THP	123	01/15 -
508	1.8 THP	150	01/15 -

Coduri OE

Coduri OE compatibile

CITROËN	1610104080
CITROËN	1611839380
CITROËN	1617272580
DS	1610104080
DS	1617272580
PEUGEOT	1610104080
PEUGEOT	1611839380
PEUGEOT	1617272580