

Specificații tehnice plăcuțe

Osie
Posterioară

WVA
25841, 25842

Lățime
123 mm

Grosime
15,4 mm

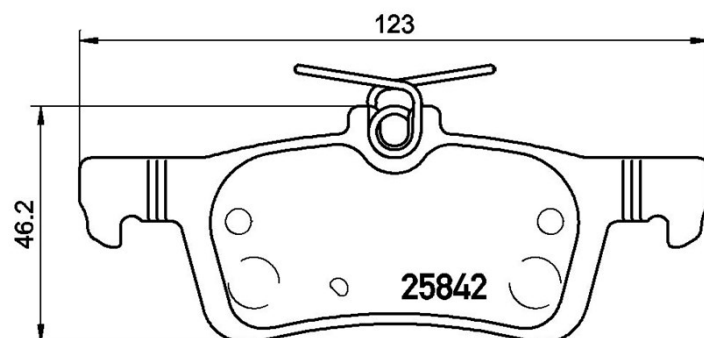
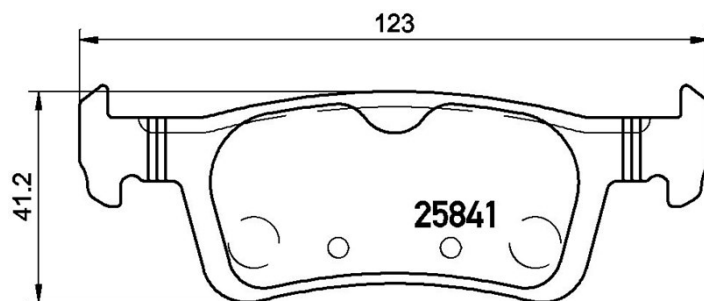
Înălțime
41,2 - 46,2 mm

Sistem de frânare
Teves

Accesorii

Sezor uzură
Fără

Cod EAN
8020584111642



Autovehicule compatibile

PEUGEOT

Model	Tip	kW	An
308 II	1.2 THP 110	81	11/13 -
308 II	1.2 THP 130	96	11/13 -
308 II	1.2 VTi 72	60	09/13 -
308 II	1.5 BlueHDi 130	96	06/17 -
308 II	1.6	85	05/15 -
308 II	1.6	115	09/13 -
308 II	1.6 BlueHDi 120	88	11/13 -
308 II	1.6 HDi	68	09/13 -

308 II	1.6 HDi / BlueHDi 115	85	09/13 -
308 II	1.6 HDi 100	73	04/14 -
308 II	1.6 PureTech 225	165	01/18 -
308 II	1.6 THP	112	09/13 -
308 II	1.6 THP 125	92	09/13 -
308 II	1.6 THP 150	110	03/14 -
308 II	1.6 THP 163	120	06/14 -
308 II	2.0 BlueHDi 150	110	11/13 -
308 II	2.0 GT BlueHDi 180	130	06/17 -
308 II	2.0 GT BlueHDi 180	132	06/17 -
308 SW I (4E_, 4H_)	1.6 HDi	84	03/13 10/14
308 SW II	1.2 THP 110	81	03/14 -
308 SW II	1.2 THP 130	96	03/14 -
308 SW II	1.5 BlueHDi 130	96	06/17 -
308 SW II	1.6 BlueHDi 100	73	04/14 -
308 SW II	1.6 BlueHDi 120	88	03/14 -
308 SW II	1.6 HDi / BlueHDi 115	85	03/14 -
308 SW II	1.6 HDi 92	68	03/14 -
308 SW II	1.6 PureTech 225	165	01/18 -
308 SW II	1.6 THP 125	92	03/14 -
308 SW II	1.6 THP 150	110	03/14 -
308 SW II	1.6 THP 155	115	03/14 -
308 SW II	1.6 VTi	85	03/14 -
308 SW II	2.0 BlueHDi 150	110	03/14 -
308 SW II	2.0 GT BlueHDi 180	130	06/17 -
308 SW II	2.0 GT BlueHDi 180	132	06/17 -

PEUGEOT (DF-PSA)

Model	Tip	kW	An
308S Hatchback	1.2 THP	100	04/15 -
308S Hatchback	1.6 THP	123	04/15 -
308S Hatchback	1.6 VTi	86	04/15 -

Coduri OE

Coduri OE compatibile

