

# Plăcuțe de frână P 61 122

**brembo**  
AFTERMARKET

## Specificații tehnice plăcuțe

**Osie**  
Posterioară

**WVA**  
25840,25839

**Lățime**  
98,9 mm

**Grosime**  
17,5 mm

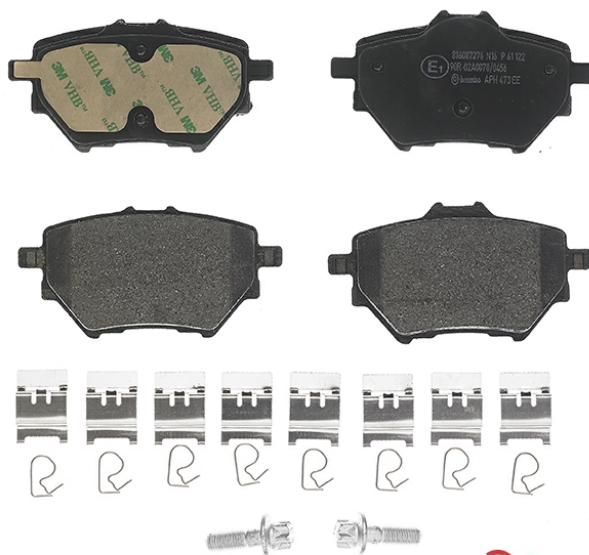
**Înălțime**  
50 - 53,4 mm

**Sistem de frânare**  
Bosch

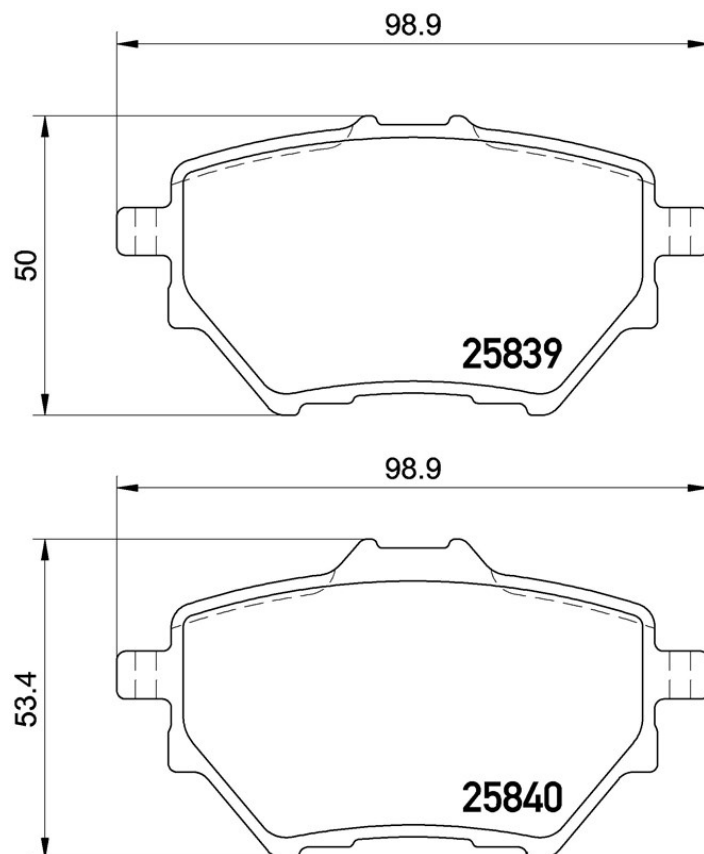
**Accesorii**  
Cu șuruburi cu șuruburi de frână  
Cu accesorii

**Sezor uzură**  
Fără

**Cod EAN**  
8020584111659



**brembo**



## Autovehicule compatibile

### CITROËN

Model	Tip	kW	An
BERLINGO (K9)	1.2 PureTech 110	81	06/18 -
BERLINGO (K9)	1.5 BlueHDi 100	75	06/18 -
BERLINGO (K9)	1.5 BlueHDi 130 (ECYHZJ, ECYHZR)	96	06/18 -

BERLINGO (K9)	1.5 BlueHDi 75	56	06/18 -
C4 Grand Picasso II	1.2 THP 130	96	04/14 -
C4 Grand Picasso II	1.6 BlueHDi 100	73	01/15 -
C4 Grand Picasso II	1.6 BlueHDi 120	88	07/14 -
C4 Grand Picasso II	1.6 HDi / BlueHDi 115	85	09/13 -
C4 Grand Picasso II	1.6 HDi 90	68	09/13 -
C4 Grand Picasso II	1.6 THP 150	110	09/14 -
C4 Grand Picasso II	1.6 THP 155	115	09/13 -
C4 Grand Picasso II	1.6 THP 165	121	07/14 -
C4 Grand Picasso II	1.6 VTi 120	88	09/13 -
C4 Grand Picasso II	2.0 BlueHDi 135	100	09/13 -
C4 Grand Picasso II	2.0 BlueHDi 150	110	09/13 -
C4 Picasso II	1.2 THP 110	81	04/16 -
C4 Picasso II	1.2 THP 130	96	04/14 -
C4 Picasso II	1.6 BlueHDi 100	73	12/14 -
C4 Picasso II	1.6 BlueHDi 120	88	07/14 -
C4 Picasso II	1.6 HDi / BlueHDi 115	85	02/13 -
C4 Picasso II	1.6 HDi 90	68	02/13 -
C4 Picasso II	1.6 THP 150	110	09/14 -
C4 Picasso II	1.6 THP 155	115	02/13 -
C4 Picasso II	1.6 THP 165	121	07/14 -
C4 Picasso II	1.6 VTi 120	88	02/13 -
C4 Picasso II	2.0 BlueHDi 135	100	09/13 -
C4 Picasso II	2.0 BlueHDi 150	110	09/13 -
C4 Picasso II	2.0 i 16V	105	06/13 12/14
C4 SPACETOURER (3D_)	1.2 PureTech 110	81	04/18 -
C4 SPACETOURER (3D_)	1.2 PureTech 130	96	04/18 -
C4 SPACETOURER (3D_)	1.5 BlueHDi 130	96	05/18 -
C4 SPACETOURER (3D_)	1.6 BlueHDi 100	73	04/18 -
C4 SPACETOURER (3D_)	1.6 BlueHDi 120	88	04/18 -
C4 SPACETOURER (3D_)	1.6 THP 165	121	04/18 -

C4 SPACETOURER (3D_)	2.0 BlueHDi 150	110	04/18 -
C4 SPACETOURER (3D_)	2.0 BlueHDi 160	120	04/18 -
GRAND C4 SPACETOURER (3A_, 3E_)	1.2 PureTech 130	96	04/18 -
GRAND C4 SPACETOURER (3A_, 3E_)	1.5 BlueHDi 130	96	05/18 -
GRAND C4 SPACETOURER (3A_, 3E_)	1.6 BlueHDi 100	73	04/18 -
GRAND C4 SPACETOURER (3A_, 3E_)	1.6 BlueHDi 120	88	04/18 -
GRAND C4 SPACETOURER (3A_, 3E_)	1.6 PureTech 180	133	04/18 -
GRAND C4 SPACETOURER (3A_, 3E_)	1.6 THP 165	121	04/18 -
GRAND C4 SPACETOURER (3A_, 3E_)	2.0 BlueHDi 150	110	04/18 -
GRAND C4 SPACETOURER (3A_, 3E_)	2.0 BlueHDi 160	120	04/18 -

## OPEL

Model	Tip	kW	An
COMBO MPV (X19)	1.2	81	06/18 -
COMBO MPV (X19)	1.5	56	06/18 -
COMBO MPV (X19)	1.5	75	06/18 -
COMBO MPV (X19)	1.5	96	06/18 -
GRANDLAND X (A18)	1.2 (75)	96	06/17 -
GRANDLAND X (A18)	1.5 Turbo D (75)	96	04/18 -
GRANDLAND X (A18)	1.5 Turbo D (75)	75	06/18 -
GRANDLAND X (A18)	1.6 Turbo (75)	133	09/18 -
GRANDLAND X (A18)	1.6 Turbo D (75)	88	06/17 -
GRANDLAND X (A18)	2.0 D (75)	130	11/17 -

## PEUGEOT

Model	Tip	kW	An
3008 SUV (M_)	1.2 PureTech 130	96	05/16 -
3008 SUV (M_)	1.5 BlueHDi 130	96	02/18 -
3008 SUV (M_)	1.6 BlueHDi 100	73	11/16 -
3008 SUV (M_)	1.6 BlueHDi 115	85	11/16 -
3008 SUV (M_)	1.6 BlueHDi 120	88	05/16 -
3008 SUV (M_)	1.6 PureTech 180	133	07/18 -
3008 SUV (M_)	1.6 THP 165	121	05/16 -
3008 SUV (M_)	2.0 BlueHDi 136	100	11/16 -

3008 SUV (M_)	2.0 BlueHDi 150	110	05/16 -
3008 SUV (M_)	2.0 BlueHDi 180	130	01/18 -
3008 SUV (M_)	2.0 BlueHDi 180	133	05/16 -
308 Box Body / Hatchback (LB_)	1.6 BlueHDi 120 (LBBHZM)	88	03/15 -
308 II	1.2 THP 110	81	11/13 -
308 II	1.2 THP 130	96	11/13 -
308 II	1.2 VTi 72	60	09/13 -
308 II	1.5 BlueHDi 100	75	05/18 -
308 II	1.5 BlueHDi 130	96	06/17 -
308 II	1.6	85	05/15 -
308 II	1.6	115	09/13 -
308 II	1.6 BlueHDi 120	88	11/13 -
308 II	1.6 GT 205	151	06/14 -
308 II	1.6 HDi	68	09/13 -
308 II	1.6 HDi / BlueHDi 115	85	09/13 -
308 II	1.6 HDi 100	73	04/14 -
308 II	1.6 PureTech 225	165	01/18 -
308 II	1.6 THP	112	09/13 -
308 II	1.6 THP 125	92	09/13 -
308 II	1.6 THP 150	110	03/14 -
308 II	1.6 THP 163	120	06/14 -
308 II	2.0 BlueHDi 150	110	11/13 -
308 II	2.0 GT BlueHDi 180	130	06/17 -
308 II	2.0 GT BlueHDi 180	132	06/17 -
308 II	2.0 GT HDi 180 / BlueHDi 180	133	06/14 -
308 SWI (4E_, 4H_)	1.6 HDi	84	03/13 10/14
308 SWII	1.2 THP 110	81	03/14 -
308 SWII	1.2 THP 130	96	03/14 -
308 SWII	1.5 BlueHDi 100	75	04/18 -
308 SWII	1.5 BlueHDi 130	96	06/17 -
308 SWII	1.6 BlueHDi 100	73	04/14 -

308 SWII	1.6 BlueHDi 120	88	03/14 -
308 SWII	1.6 HDi / BlueHDi 115	85	03/14 -
308 SWII	1.6 HDi 92	68	03/14 -
308 SWII	1.6 PureTech 225	165	01/18 -
308 SWII	1.6 THP 125	92	03/14 -
308 SWII	1.6 THP 150	110	03/14 -
308 SWII	1.6 THP 155	115	03/14 -
308 SWII	1.6 VTi	85	03/14 -
308 SWII	2.0 BlueHDi 150	110	03/14 -
308 SWII	2.0 GT BlueHDi 180	130	06/17 -
308 SWII	2.0 GT BlueHDi 180	132	06/17 -
308 SWII Box Body / Estate (LC_)	1.6 BlueHDi	73	04/14 -
508 II (FB_, F3_)	1.5 BlueHDi 130 (FBYHZJ, FBYHZR)	96	10/18 -
508 II (FB_, F3_)	1.6 PureTech 180 (F35GFR)	133	10/18 -
508 II (FB_, F3_)	1.6 PureTech 225 (F35GGR)	165	10/18 -
508 II (FB_, F3_)	2.0 BlueHDi 160 (FHEHYR)	120	10/18 -
508 II (FB_, F3_)	2.0 BlueHDi 180 (FHEHZR, FHEHZN)	130	10/18 -
508 SWII (FE_, F4_)	1.5 BlueHDi 130	96	09/18 -
508 SWII (FE_, F4_)	1.6 PureTech 180	133	09/18 -
508 SWII (FE_, F4_)	1.6 PureTech 225	165	09/18 -
508 SWII (FE_, F4_)	2.0 BlueHDi 160	120	09/18 -
508 SWII (FE_, F4_)	2.0 BlueHDi 180	130	09/18 -
RIFTER	1.2 PureTech 110	81	09/18 -
RIFTER	1.5 BlueHDi 75 (ECYHM)	55	09/18 -
<b>PEUGEOT (DF-PSA)</b>			
Model	Tip	kW	An
308S Hatchback	1.2 THP	100	04/15 -
308S Hatchback	1.6 THP	123	04/15 -
308S Hatchback	1.6 VTi	86	04/15 -
<b>VAUXHALL</b>			
Model	Tip	kW	An

GRANDLAND X (A18)	1.2 Turbo (75)	96	06/17 -
-------------------	----------------	----	---------

GRANDLAND X (A18)	1.6 Turbo D (75)	88	06/17 -
-------------------	------------------	----	---------

## Coduri OE

### Coduri OE compatibile

CITROËN	1609000680
---------	------------

CITROËN	1636413980
---------	------------

OPEL	95525378
------	----------

PEUGEOT	1619790880
---------	------------

VAUXHALL	95525378
----------	----------