

# Plăcuțe de frână P 61 123

 **brembo**  
AFTERMARKET

## Specificații tehnice plăcuțe

**Osie**  
Anterioară

**WVA**  
25833,25834

**Lățime**  
155,1 mm

**Grosime**  
17,1 mm

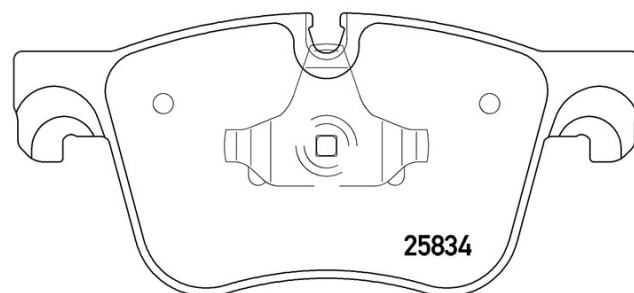
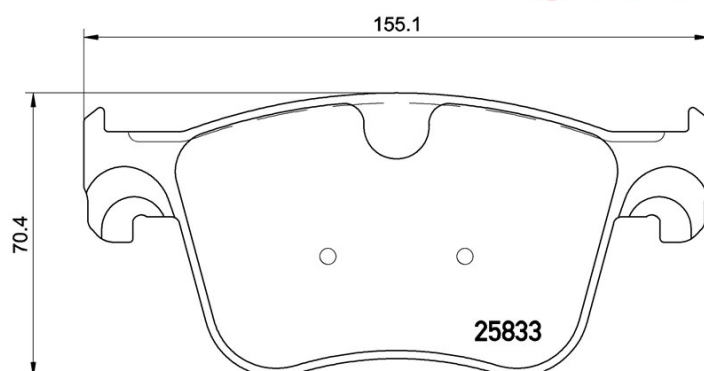
**Înălțime**  
70,4 mm

**Sistem de frânare**  
Teves

**Accesorii**

**Sezor uzură**  
Cu locaș

**Cod EAN**  
8020584111666



## Autovehicule compatibile

### CITROËN

| Model               | Tip                   | kW  | An      |
|---------------------|-----------------------|-----|---------|
| C4 Grand Picasso II | 1.2 THP 130           | 96  | 04/14 - |
| C4 Grand Picasso II | 1.6 HDi / BlueHDi 115 | 85  | 09/13 - |
| C4 Grand Picasso II | 1.6 HDi 90            | 68  | 09/13 - |
| C4 Grand Picasso II | 1.6 THP 155           | 115 | 09/13 - |
| C4 Grand Picasso II | 1.6 VTi 120           | 88  | 09/13 - |
| C4 Grand Picasso II | 2.0 BlueHDi 135       | 100 | 09/13 - |
| C4 Grand Picasso II | 2.0 BlueHDi 150       | 110 | 09/13 - |
| C4 Picasso II       | 1.2 THP 130           | 96  | 04/14 - |
| C4 Picasso II       | 1.6 HDi / BlueHDi 115 | 85  | 02/13 - |

|               |                 |     |             |
|---------------|-----------------|-----|-------------|
| C4 Picasso II | 1.6 HDi 90      | 68  | 02/13 -     |
| C4 Picasso II | 1.6 THP 155     | 115 | 02/13 -     |
| C4 Picasso II | 1.6 VTi 120     | 88  | 02/13 -     |
| C4 Picasso II | 2.0 BlueHDi 135 | 100 | 09/13 -     |
| C4 Picasso II | 2.0 BlueHDi 150 | 110 | 09/13 -     |
| C4 Picasso II | 2.0 i 16V       | 105 | 06/13 12/14 |

## PEUGEOT

| Model                          | Tip                      | kW  | An          |
|--------------------------------|--------------------------|-----|-------------|
| 308 Box Body / Hatchback (LB_) | 1.6 BlueHDi 120 (LBBHZM) | 88  | 03/15 -     |
| 308 II                         | 1.2 THP 110              | 81  | 11/13 -     |
| 308 II                         | 1.2 THP 130              | 96  | 11/13 -     |
| 308 II                         | 1.2 VTi 72               | 60  | 09/13 -     |
| 308 II                         | 1.6                      | 85  | 05/15 -     |
| 308 II                         | 1.6                      | 115 | 09/13 -     |
| 308 II                         | 1.6 BlueHDi 120          | 88  | 11/13 -     |
| 308 II                         | 1.6 HDi                  | 68  | 09/13 -     |
| 308 II                         | 1.6 HDi / BlueHDi 115    | 85  | 09/13 -     |
| 308 II                         | 1.6 HDi 100              | 73  | 04/14 -     |
| 308 II                         | 1.6 THP                  | 112 | 09/13 -     |
| 308 II                         | 1.6 THP 125              | 92  | 09/13 -     |
| 308 II                         | 1.6 THP 150              | 110 | 03/14 -     |
| 308 II                         | 1.6 THP 163              | 120 | 06/14 -     |
| 308 II                         | 2.0 BlueHDi 150          | 110 | 11/13 -     |
| 308 SW I (4E_, 4H_)            | 1.6 HDi                  | 84  | 03/13 10/14 |
| 308 SW II                      | 1.2 THP 110              | 81  | 03/14 -     |
| 308 SW II                      | 1.2 THP 130              | 96  | 03/14 -     |
| 308 SW II                      | 1.6 BlueHDi 100          | 73  | 04/14 -     |
| 308 SW II                      | 1.6 BlueHDi 120          | 88  | 03/14 -     |
| 308 SW II                      | 1.6 HDi / BlueHDi 115    | 85  | 03/14 -     |
| 308 SW II                      | 1.6 HDi 92               | 68  | 03/14 -     |
| 308 SW II                      | 1.6 THP 125              | 92  | 03/14 -     |
| 308 SW II                      | 1.6 THP 150              | 110 | 03/14 -     |

|                                  |                    |     |         |
|----------------------------------|--------------------|-----|---------|
| 308 SWII                         | 1.6 THP 155        | 115 | 03/14 - |
| 308 SWII                         | 1.6 VTi            | 85  | 03/14 - |
| 308 SWII                         | 2.0 BlueHDi 150    | 110 | 03/14 - |
| 308 SWII                         | 2.0 GT BlueHDi 180 | 132 | 06/17 - |
| 308 SWII Box Body / Estate (LC_) | 1.6 BlueHDi        | 73  | 04/14 - |

## Coduri OE

### Coduri OE compatibile

|         |            |
|---------|------------|
| CITROËN | 1609898580 |
| CITROËN | 1619791180 |