

Specificații tehnice plăcuțe

Oșie
Posterioară

Lățime
105,9 mm

Înălțime
51,8 - 55,3 mm

Accesorii
Cu accesorii
Cu șuruburi cu șuruburi de frână

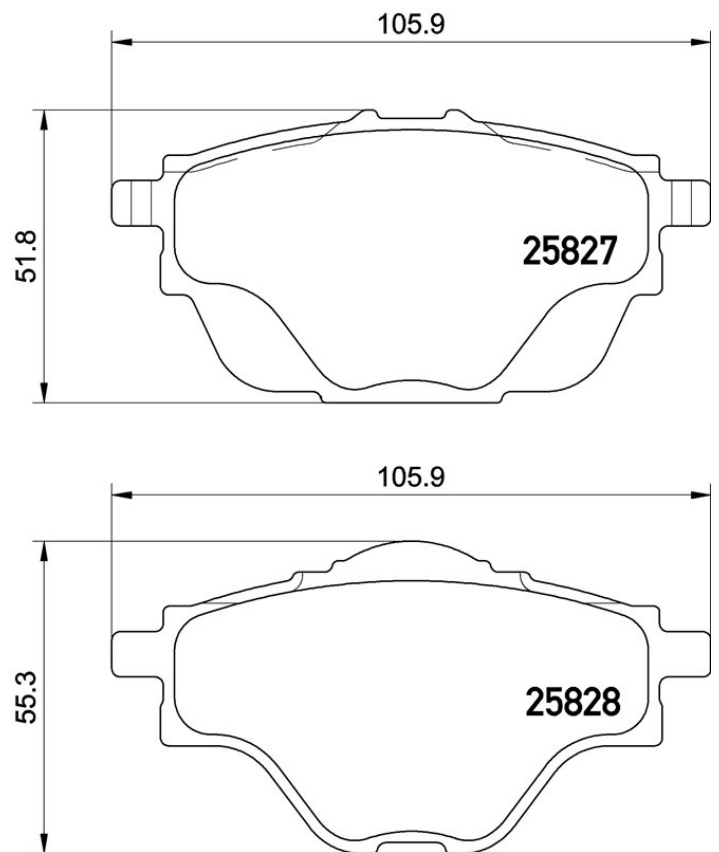
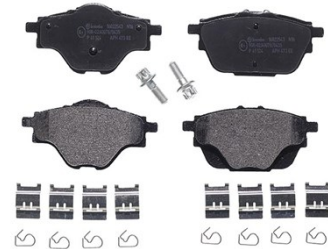
Cod EAN
8020584111673

WVA
25827, 25828

Grosime
17,3 mm

Sistem de frânare
Bosch

Sezor uzură
Fără



Autovehicule compatibile

CITROËN

Model	Tip	kW	An
C4 Grand Picasso II	1.2 THP 130	96	04/14 -
C4 Grand Picasso II	1.6 BlueHDi 100	73	01/15 -
C4 Grand Picasso II	1.6 BlueHDi 120	88	07/14 -
C4 Grand Picasso II	1.6 HDi / BlueHDi 115	85	09/13 -
C4 Grand Picasso II	1.6 HDi 90	68	09/13 -

C4 Grand Picasso II	1.6 THP 150	110	09/14 -
C4 Grand Picasso II	1.6 THP 155	115	09/13 -
C4 Grand Picasso II	1.6 THP 165	121	07/14 -
C4 Grand Picasso II	1.6 VTi 120	88	09/13 -
C4 Grand Picasso II	2.0 BlueHDi 135	100	09/13 -
C4 Grand Picasso II	2.0 BlueHDi 150	110	09/13 -
C4 Picasso II	1.2 THP 110	81	04/16 -
C4 Picasso II	1.2 THP 130	96	04/14 -
C4 Picasso II	1.6 BlueHDi 100	73	12/14 -
C4 Picasso II	1.6 BlueHDi 120	88	07/14 -
C4 Picasso II	1.6 HDi / BlueHDi 115	85	02/13 -
C4 Picasso II	1.6 HDi 90	68	02/13 -
C4 Picasso II	1.6 THP 150	110	09/14 -
C4 Picasso II	1.6 THP 155	115	02/13 -
C4 Picasso II	1.6 THP 165	121	07/14 -
C4 Picasso II	1.6 VTi 120	88	02/13 -
C4 Picasso II	2.0 BlueHDi 135	100	09/13 -
C4 Picasso II	2.0 BlueHDi 150	110	09/13 -
C4 Picasso II	2.0 i 16V	105	06/13 12/14
C4 SPACETOURER (3D_)	1.2 PureTech 110	81	04/18 -
C4 SPACETOURER (3D_)	1.2 PureTech 130	96	04/18 -
C4 SPACETOURER (3D_)	1.5 BlueHDi 130	96	05/18 -
C4 SPACETOURER (3D_)	1.6 BlueHDi 100	73	04/18 -
C4 SPACETOURER (3D_)	1.6 BlueHDi 120	88	04/18 -
C4 SPACETOURER (3D_)	1.6 THP 165	121	04/18 -
C4 SPACETOURER (3D_)	2.0 BlueHDi 150	110	04/18 -
C4 SPACETOURER (3D_)	2.0 BlueHDi 160	120	04/18 -
GRAND C4 SPACETOURER (3A_, 3E_)	1.2 PureTech 130	96	04/18 -
GRAND C4 SPACETOURER (3A_, 3E_)	1.5 BlueHDi 130	96	05/18 -
GRAND C4 SPACETOURER (3A_, 3E_)	1.6 BlueHDi 100	73	04/18 -
GRAND C4 SPACETOURER (3A_, 3E_)	1.6 BlueHDi 120	88	04/18 -
GRAND C4 SPACETOURER (3A_, 3E_)	1.6 THP 165	121	04/18 -
GRAND C4 SPACETOURER (3A_, 3E_)	2.0 BlueHDi 150	110	04/18 -
GRAND C4 SPACETOURER (3A_, 3E_)	2.0 BlueHDi 160	120	04/18 -

DS

Model	Tip	kW	An
DS 7 Crossback	1.5 BlueHDi 130	96	09/17 -
DS 7 Crossback	1.6 PureTech 180	133	04/18 -
DS 7 Crossback	1.6 PureTech 225	165	09/17 -
DS 7 Crossback	2.0 BlueHDi 180	130	09/17 -

OPEL

Model	Tip	kW	An
GRANDLAND X (A18)	1.2 (75)	60	10/17 -
GRANDLAND X (A18)	1.2 (75)	96	06/17 -
GRANDLAND X (A18)	1.2 LPG (75)	55	10/17 -
GRANDLAND X (A18)	1.5 Turbo D (75)	96	04/18 -
GRANDLAND X (A18)	1.6 (75)	115	10/17 -
GRANDLAND X (A18)	1.6 Turbo D (75)	73	10/17 -
GRANDLAND X (A18)	1.6 Turbo D (75)	88	06/17 -
GRANDLAND X (A18)	2.0 D (75)	130	11/17 -

PEUGEOT

Model	Tip	kW	An
3008 SUV (M_)	1.5 BlueHDi 130	96	02/18 -
3008 SUV (M_)	1.6 BlueHDi 100	73	11/16 -
3008 SUV (M_)	1.6 BlueHDi 115	85	11/16 -
3008 SUV (M_)	2.0 BlueHDi 136	100	11/16 -
3008 SUV (M_)	2.0 BlueHDi 180	130	01/18 -
308 II	1.6 GTi	200	06/15 -
308 II	1.6 GTi	184	08/15 -
308 II	1.6 PureTech 225	165	01/18 -
308 II	2.0 GT BlueHDi 180	130	06/17 -
308 II	2.0 GT BlueHDi 180	132	06/17 -
308 SW II	1.6 GT 205	151	06/14 -
308 SW II	1.6 PureTech 225	165	01/18 -
308 SW II	2.0 GT BlueHDi 180	130	06/17 -
308 SW II	2.0 GT HDi 180 / BlueHDi 180	133	06/14 -
5008 II	1.2	96	12/16 -
5008 II	1.5 BlueHDi 130	96	02/18 -

5008 II	1.6 BlueHDi 100	73	12/16 -
5008 II	1.6 BlueHDi 115	85	12/16 -
5008 II	1.6 BlueHDi 120	88	12/16 -
5008 II	1.6 THP 165	121	12/16 -
5008 II	2.0 BlueHDi 136	100	12/16 -
5008 II	2.0 BlueHDi 150	110	12/16 -
5008 II	2.0 BlueHDi 180	130	01/18 -
5008 II	2.0 BlueHDi 180	133	12/16 -

PEUGEOT (DF-PSA)

Model	Tip	kW	An
5008	350THP	123	06/17 -
5008	380THP	150	06/17 -

VAUXHALL

Model	Tip	kW	An
GRANDLAND X (A18)	1.2 Turbo (75)	96	06/17 -
GRANDLAND X (A18)	1.6 Turbo D (75)	88	06/17 -
GRANDLAND X (A18)	2.0 D (75)	130	10/17 -

Coduri OE

Coduri OE compatibile

CITROËN	1609000980
OPEL	95525386
VAUXHALL	95525386