

Specificații tehnice plăcuțe

Osie
Anterioară

WVA
21110,20380

Lățime
119,7 mm

Grosime
15,6 mm

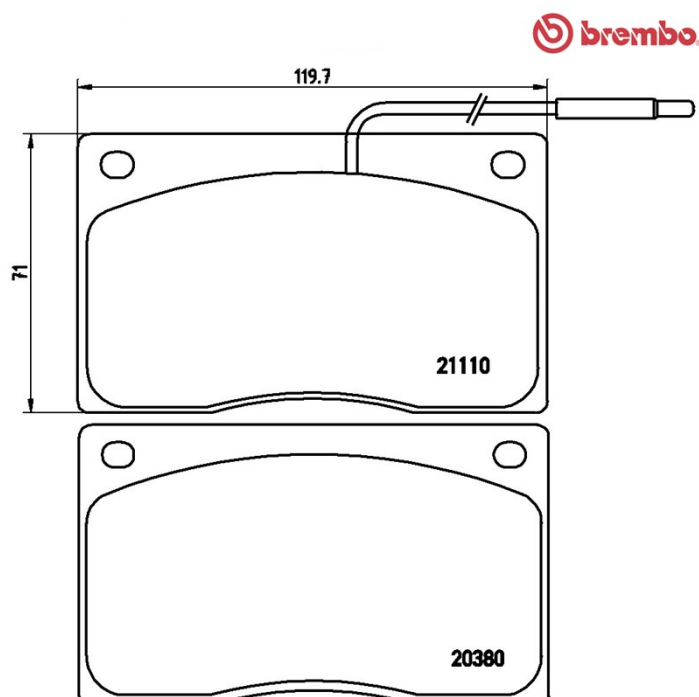
Înălțime
71 mm

Sistem de frânare
Lucas

Accesorii

Sezor uzură
Electric

Cod EAN
8020584056752



Autovehicule compatibile

DAIMLER

Model	Tip	kW/CV	An
2.8 - 5.3	3.6	156	10/86 09/89
2.8 - 5.3	Double Six / Vanden 5.3	198	07/72 09/73
2.8 - 5.3	Double Six / Vanden 5.3	186	09/73 05/75
2.8 - 5.3	Double Six 5.3	211	05/75 07/81
2.8 - 5.3	Double Six 5.3	197	07/81 02/93
2.8 - 5.3	Double Six 5.3	194	10/86 02/93
2.8 - 5.3	Double Six H.E. 5.3	217	07/81 10/86
2.8 - 5.3	Sovereign 2.8	110	10/69 05/75

2.8 - 5.3	Sovereign 3.4	120	05/75 12/78
2.8 - 5.3	Sovereign 4.2	151	03/79 10/86
2.8 - 5.3	Sovereign 4.2	124	06/76 03/79
2.8 - 5.3	Sovereign 4.2	127	09/73 03/79
2.8 - 5.3	Sovereign 4.2	137	10/69 09/73
COUPE	Double Six 5.3	213	05/75 12/77
COUPE	Sovereign 4.2	127	09/73 12/77
LANDAULETTE	4.2	131	01/88 12/91
LANDAULETTE	4.2	123	03/74 12/91
LIMOUSINE	4.2	131	01/88 12/91
LIMOUSINE	4.2	123	06/68 12/91
XJ 40, 81	Sovereign 3.6	145	10/86 07/89
XJ 40, 81	Sovereign 3.6	136	10/86 09/89

JAGUAR

Model	Tip	kW/CV	An
XJ	12 5.3	211	05/75 02/93
XJ	12 5.3	187	08/86 09/89
XJ	12 5.3	186	09/73 12/76
XJ	12 H.E.	217	05/81 12/92
XJ	6 3.4	119	05/75 10/86
XJ	6 4.2	127	01/75 12/79
XJ	6 4.2	151	09/79 12/87
XJ	6 4.2	130	09/85 12/86
XJ	6 4.2	133	09/85 12/86
XJ	6 4.2	124	11/73 01/80
XJ	Sovereign V12	197	07/85 12/92
XJ	Sovereign V12	194	10/86 12/92
XJ (XJ40, XJ81)	3.6	136	10/86 08/89
XJ (XJ40, XJ81)	6 2.9	108	10/86 08/90
XJ (XJ40, XJ81)	6 2.9	117	10/86 08/90
XJ (XJ40, XJ81)	6 2.9	123	10/86 08/90
XJ (XJ40, XJ81)	6 3.6	145	10/86 08/89

XJ (XJ40, XJ81)	6 3.6	156	10/86 08/89
XJ Coupe	3.6	162	10/83 12/88
XJ Coupe	3.6	156	10/83 12/89
XJ Coupe	5.3	197	01/86 12/89
XJ Coupe	5.3	213	09/75 07/81
XJ Coupe	5.3 H.E.	217	07/81 12/87
XJ Coupe	5.3 H.E.	194	09/85 09/92
XJSC Convertible (X27)	3.6	136	08/87 05/91
XJSC Convertible (X27)	3.6	156	08/87 05/91
XJSC Convertible (X27)	3.6	162	10/86 12/88
XJSC Convertible (X27)	5.3	197	01/86 05/88
XJSC Convertible (X27)	5.3 H.E.	194	07/85 05/92
XJSC Convertible (X27)	5.3 H.E.	217	09/85 12/90

RENAULT

Model	Tip	kW/CV	An
MASTER I Box (T__)	2.4 D	52	07/83 08/86
MASTER I Box (T__)	2.4 D	53	09/86 12/92
MASTER I Box (T__)	28-35 2,5 D	55	08/89 07/98
MASTER I Box (T__)	28-35 2,5 TD	72	08/89 07/98
MASTER I Box (T__)	28-35 2.0	59	08/80 10/86
MASTER I Box (T__)	28-35 2.0	58	10/86 07/98
MASTER I Box (T__)	28-35 2.1 D	44	08/80 07/98
MASTER I Box (T__)	28-35 2.4 D	52	08/80 08/89
MASTER I Box (T__)	30 2,2	67	08/80 07/98
MASTER I Box (T__)	35 2,5 TD	69	08/89 07/98
MASTER I Bus (T__)	2.0	60	06/85 10/89
MASTER I Bus (T__)	2.1 D	44	11/89 04/95
MASTER I Bus (T__)	2.4 D	53	09/86 10/89
MASTER I Bus (T__)	28-35 2.0	59	08/80 09/86
MASTER I Bus (T__)	28-35 2.0	58	10/86 07/98
MASTER I Bus (T__)	28-35 2.1 D	44	08/80 07/98

MASTER I Bus(T__)	28-35 2.4 D	52	08/80 08/89
MASTER I Bus(T__)	28-35 2.5 D	55	08/89 07/98
MASTER I Bus(T__)	30 2,2	67	08/80 07/98
MASTER I Bus(T__)	35 2,5 TD	69	08/89 07/98
MASTER I Platfom/Chassis(P__)	2.0	60	11/89 07/93
MASTER I Platfom/Chassis(P__)	2.1 D	46	11/89 07/93
MASTER I Platfom/Chassis(P__)	2.2	71	08/93 02/98
MASTER I Platfom/Chassis(P__)	2.4 D	52	08/93 02/98
MASTER I Platfom/Chassis(P__)	2.5 D	55	07/80 10/89
MASTER I Platfom/Chassis(P__)	2.5 DT	70	08/93 02/98
MASTER I Platfom/Chassis(P__)	2.5 DT	69	11/89 10/93
MASTER I Platfom/Chassis(P__)	28-35 2.0	59	10/82 09/86
MASTER I Platfom/Chassis(P__)	28-35 2.0	58	10/86 07/98
MASTER I Platfom/Chassis(P__)	28-35 2.5 D	52	09/80 07/98

Coduri OE

Coduri OE compatibile

JAGUAR	JLM1157
JAGUAR	JLM9727
RENAULT	5001000478
RENAULT	7701203071
RENAULT	7701349255