

Specificații tehnice plăcuțe

Osie
Posterioară

WVA
20410,20423

Lățime
126,2 mm

Grosime
15 mm

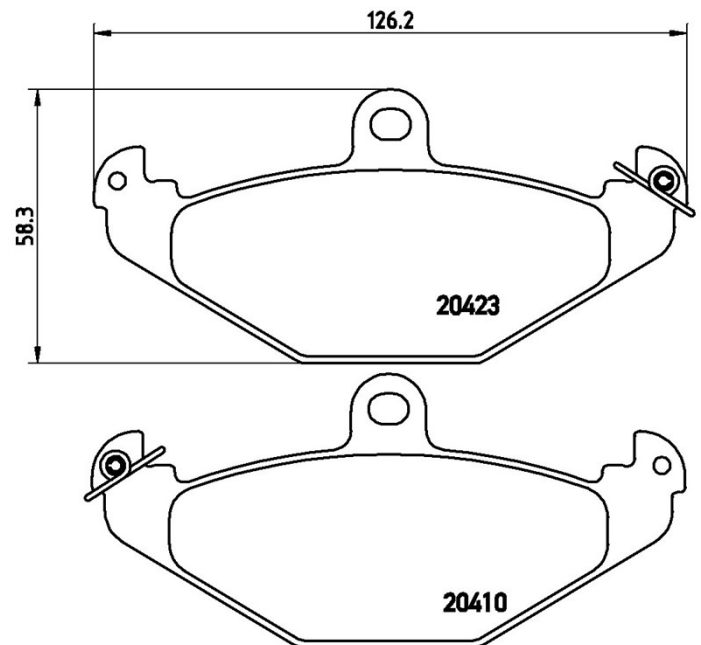
Înălțime
58,3 mm

Sistem de frânare
Brembo

Accesorii

Sezor uzură
Fără

Cod EAN
8020584056806



Autovehicule compatibile

LOTUS				
Model	Tip	kW	An	
ESPRIT S4 (082)	2.0 GT3	179	09/96 06/00	
ESPRIT S4 (082)	2.2	221	05/93 07/96	
ESPRIT S4 (082)	2.2	160	09/88 03/92	
ESPRIT S4 (082)	2.2	170	09/90 12/91	
ESPRIT S4 (082)	2.2	209	10/94 08/96	
ESPRIT S4 (082)	2.2	222	11/94 07/96	
ESPRIT S4 (082)	2.2 16V Turbo SE	197	05/89 09/96	
ESPRIT S4 (082)	3.5 V8 32V Turbo	260	02/96 06/03	

RENAULT

Model	Tip	kW	An
21 (B48_)	2.0 (B48C)	88	09/89 12/93
21 (B48_)	2.0 (B48R/Y)	99	02/90 10/92
21 (B48_)	2.0 4x4 (B48R/Y)	99	09/90 10/92
21 (B48_)	2.0 TXi	100	07/89 05/93
21 (B48_)	2.1 D (B480)	51	04/92 06/94
21 (B48_)	2.1 D (B48V/B48O)	53	09/89 12/92
21 (B48_)	2.1 Turbo-D (B486, B488, B48V)	65	09/89 06/94
21 (B48_)	2.2 (B48K)	79	09/89 06/94
21 (B48_)	2.2 4x4 (B48K)	79	07/90 06/94
21 Box (S48_)	2.1 D	49	06/86 08/94
21 Estate (K48_)	2.0	75	06/91 05/93
21 Estate (K48_)	2.0	86	07/89 06/92
21 Estate (K48_)	2.0 (K483)	85	06/86 12/88
21 Estate (K48_)	2.0 (K48C)	88	03/86 12/93
21 Estate (K48_)	2.0 (K48R)	99	06/90 02/94
21 Estate (K48_)	2.0 4x4	88	03/89 12/93
21 Estate (K48_)	2.1 D (K/S486)	48	10/86 09/90
21 Estate (K48_)	2.1 D (K/S48V, K/S48O)	53	08/89 12/92
21 Estate (K48_)	2.1 D (K480)	51	02/92 09/95
21 Estate (K48_)	2.1 Turbo-D (K48A, K48W, K487, K488)	65	10/86 11/93
21 Estate (K48_)	2.2 (K48K)	79	06/86 11/93
21 Estate (K48_)	2.2 4x4 (K48K)	79	06/86 12/93
21 Saloon (L48_)	2.0	86	04/86 06/89
21 Saloon (L48_)	2.0	76	04/88 06/89
21 Saloon (L48_)	2.0	78	05/91 10/93
21 Saloon (L48_)	2.0 (L483)	85	03/86 12/88
21 Saloon (L48_)	2.0 (L489)	75	03/86 10/93
21 Saloon (L48_)	2.0 (L48C)	88	03/86 12/93
21 Saloon (L48_)	2.0 (L48R)	99	02/90 06/94

21 Saloon (L48_)	2.0 4x4 (L48R)	99	12/89 02/94
21 Saloon (L48_)	2.0 Turbo (L485)	129	04/87 03/90
21 Saloon (L48_)	2.0 Turbo (L48L)	119	02/90 10/92
21 Saloon (L48_)	2.0 Turbo 4x4	129	08/89 10/93
21 Saloon (L48_)	2.0 Turbo 4x4 (L48L)	119	02/90 10/92
21 Saloon (L48_)	2.1 D (L480)	51	10/92 06/94
21 Saloon (L48_)	2.1 D (L486)	48	03/86 12/89
21 Saloon (L48_)	2.1 D (L48V, L48O)	53	05/89 06/94
21 Saloon (L48_)	2.1 TD	50	04/86 06/89
21 Saloon (L48_)	2.1 Turbo-D (L48A, L48W, L487, L488)	65	03/86 06/94
21 Saloon (L48_)	2.2 (L48K)	79	07/86 02/94
21 Saloon (L48_)	2.2 4x4 (L48K)	79	07/90 02/94
ESPACE III (JE0_)	1.9 dTi (JE0M)	72	02/99 10/02
ESPACE III (JE0_)	2.0 (JE0A)	84	11/96 10/00
ESPACE III (JE0_)	2.0 16V (JE0N, JE0L, JE02)	103	10/98 10/02
ESPACE III (JE0_)	2.2 12V TD (JE0E, JE0H, JE0P)	83	11/96 10/00
ESPACE III (JE0_)	2.2 D	84	11/97 01/00
ESPACE III (JE0_)	3.0 (JE0D)	123	11/96 10/98
ESPACE III (JE0_)	3.0 V6 24V (JE0G, JE0R)	140	10/98 10/02
LAGUNA I (B56_, 556_)	1.8	69	06/95 02/01
LAGUNA I (B56_, 556_)	1.8	70	06/95 06/98
LAGUNA I (B56_, 556_)	1.8	70	06/95 06/98
LAGUNA I (B56_, 556_)	1.8 (B56A/B)	66	11/93 03/01
LAGUNA I (B56_, 556_)	1.8 (B56S/T/0)	66	08/95 03/01
LAGUNA I (B56_, 556_)	1.8 (B56Z)	69	08/95 03/01
LAGUNA I (B56_, 556_)	2.0	84	06/95 02/01
LAGUNA I (B56_, 556_)	2.0	103	06/95 02/01
LAGUNA I (B56_, 556_)	2.0 (B56C/H/N)	83	11/93 03/01
LAGUNA I (B56_, 556_)	2.0 16V (B56D/M)	102	06/95 03/01
LAGUNA I (B56_, 556_)	2.2 D (B56F/2)	61	11/93 03/01
LAGUNA I (B56_, 556_)	2.2 dT (B569)	83	03/96 03/01

LAGUNA I (B56_, 556_)	3.0 (B56E/R, B565)	123	11/93 03/01
LAGUNA I Grandtour (K56_)	1.8 (K56S/T/0)	66	09/95 03/01
LAGUNA I Grandtour (K56_)	1.8 (K56Z)	69	09/95 03/01
LAGUNA I Grandtour (K56_)	2.0 (K56C/H)	83	09/95 03/01
LAGUNA I Grandtour (K56_)	2.0 16V (K56D/M)	102	09/95 03/01
LAGUNA I Grandtour (K56_)	2.2 D (K56F/2, S56F)	61	09/95 03/01
LAGUNA I Grandtour (K56_)	2.2 dT (K569)	83	03/96 03/01
LAGUNA I Grandtour (K56_)	3.0 (K56R, K565)	123	02/96 03/01
LAGUNA I Grandtour (K56_)	3.0 24V (K56V)	140	03/97 03/01
SAFRANE I (B54_)	2.0 (B540)	77	11/92 07/96
SAFRANE I (B54_)	2.0 12V (B542, B54E)	97	04/92 07/96
SAFRANE I (B54_)	2.1 dT (B546)	65	11/93 07/96
SAFRANE I (B54_)	2.2 (B541)	79	04/92 07/96
SAFRANE I (B54_)	2.2 (B543)	101	04/92 07/96
SAFRANE I (B54_)	2.5 dT (B548)	83	12/92 07/96
SAFRANE I (B54_)	3.0	125	02/93 06/96
SAFRANE I (B54_)	3.0 Biturbo 4x4 (B545)	193	02/93 07/96
SAFRANE I (B54_)	3.0 V6 (B54B, B544)	123	12/92 07/96
SAFRANE I (B54_)	3.0 V6 4x4 (B54B, B544)	123	12/92 07/96
SAFRANE II (B54_)	2.0 16V (B54L)	100	07/96 12/00
SAFRANE II (B54_)	2.2 dT (B54G)	83	07/96 12/00
SAFRANE II (B54_)	2.5 20V (B54F)	121	07/96 12/00
SAFRANE II (B54_)	2.9 24V (B54N)	140	03/99 12/00
SAFRANE II (B54_)	3.0 V6 (B54M)	123	07/96 12/00

Coduri OE

Coduri OE compatibile

CHRYSLER	04762999
CHRYSLER	4762999
RENAULT	6025308186
RENAULT	7701203124
RENAULT	7701203633

RENAULT 7701203635

RENAULT 7701203726

RENAULT 7701203969

RENAULT 7701205015
