

Specificații tehnice plăcuțe

Osie
Posterioară

WVA
24854,24855

Lățime
110,6 mm

Grosime
16 mm

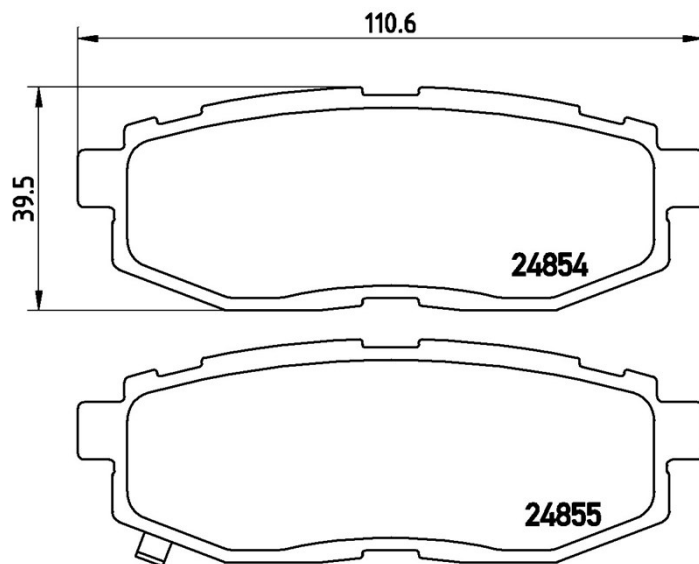
Înălțime
39,5 mm

Sistem de frânare
NBK

Accesorii
Cu accesorii

Sezor uzură
Acustic

Cod EAN
8020584090862



Autovehicule compatibile

SUBARU

Model	Tip	kW/CV	An
BRZ	2.0	147/200	06/12 -
BRZ	2.0	152/207	08/16 -
FORESTER (SJ_)	2.0 XT AWD (SJG)	177/241	03/13 -
FORESTER (SK_)	2.0 AWD (SK7)	115/156	04/18 -
FORESTER (SK_)	2.0 Hybrid AWD (SKE)	107/145	04/18 -
FORESTER (SK_)	2.0 Hybrid AWD (SKE)	110/150	04/18 -
FORESTER (SK_)	2.5 AWD (SK9)	136/185	04/18 -
IMPREZA Hatchback (GR, GH, G3)	2.5 STI CS400 AWD	294/400	04/10 08/13
IMPREZA Hatchback (GR, GH, G3)	2.5 WRX AWD	227/309	01/08 08/13

IMPREZA Hatchback (GR, GH, G3)	2.5 WRX STI AWD (GRF)	221/301	01/08 08/13
IMPREZA Saloon (GE, GV)	2.5 WRX STI AWD	221/301	01/11 -
LEGACY V (BM)	2.5 GT AWD (BM9)	195/265	07/10 12/14
LEGACY V (BM)	3.6 AWD (BMF)	191/260	09/09 12/14
LEGACY V Estate (BR)	2.5 GT AWD	210/286	05/09 12/14
LEGACY V Estate (BR)	2.5 GT AWD (BR9)	195/265	07/10 12/14
LEGACY V Estate (BR)	2.5 i AWD (BRM)	127/173	07/12 12/14
OUTBACK (BR)	2.5 i AWD (BR9)	123/167	09/09 -
OUTBACK (BR)	2.5 i AWD (BRM)	127/173	01/12 12/14
OUTBACK (BR)	3.6 AWD	183/249	06/11 12/14
OUTBACK (BR)	3.6 R AWD (BRF)	191/260	09/09 -
TRIBECA (B9)	3.0	184/250	01/05 -
TRIBECA (B9)	3.0	180/245	10/06 -
TRIBECA (B9)	3.6	190/258	09/07 -
TRIBECA (B9)	3.6	188/256	09/09 -

TOYOTA

Model	Tip	kW/ CV	An
GT 86 Coupe (ZN6_)	2.0 (ZN6)	149/203	10/12 -
GT 86 Coupe (ZN6_)	2.0 (ZN6AC_, ZN6BC_)	147/200	03/12 -
GT 86 Coupe (ZN6_)	2.0 (ZN6EY_)	152/207	08/16 -

Coduri OE

Coduri OE compatibile

SUBARU	26696CA000
SUBARU	26696SG000
SUBARU	26696XA000
SUBARU	26696XA010
SUBARU	26696XA011
TOYOTA	SU00304325