

Specificații tehnice plăcuțe

Osie
Posterioară

WVA
21759, 21760, 21761

Lățime
98,5 - 106,7 mm

Grosime
15,3 mm

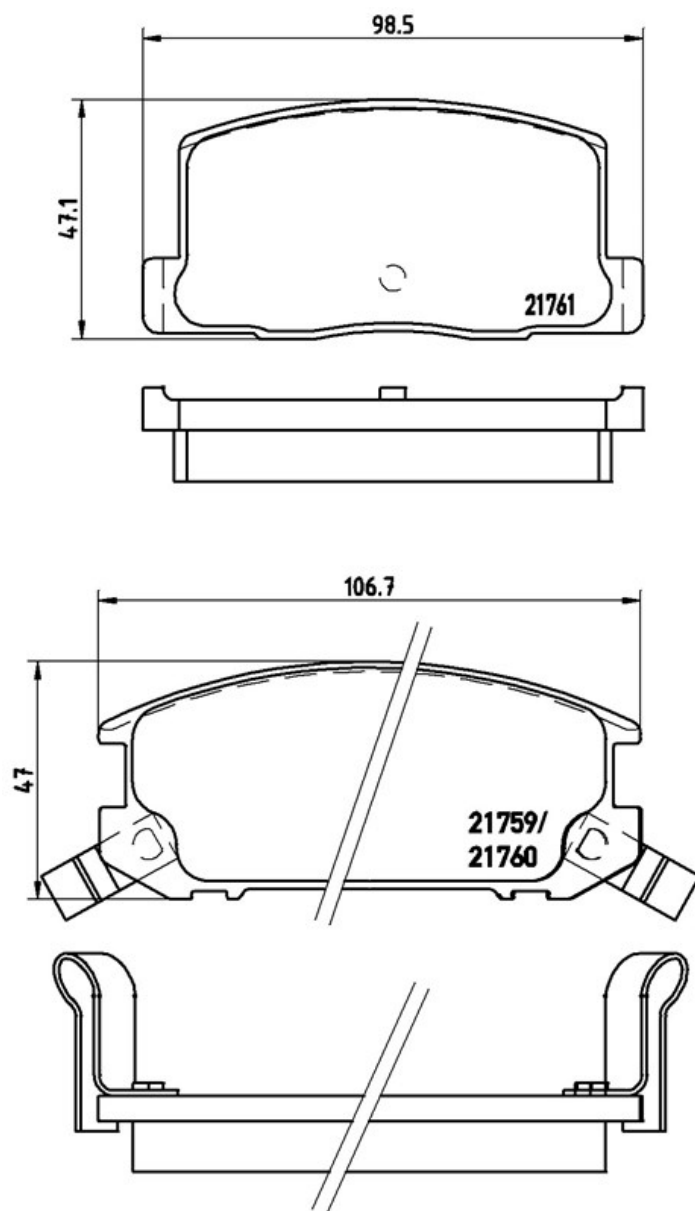
Înălțime
47 - 47,1 mm

Sistem de frânare
Akebono

Accesorii

Sezor uzură
Acustic

Cod EAN
8020584057544



Autovehicule compatibile

TOYOTA

Model	Tip	kW	An
MR 2 I (AW1_)	1.6 16V (AW11)	96	06/84 11/89
MR 2 I (AW1_)	1.6 16V (AW11)	85	11/84 06/90
MR 2 I (AW1_)	1.6 16V (AW11)	91	11/84 06/90
MR 2 I (AW1_)	1.6 Supercharged (AW11)	107	08/86 12/89
MR 2 II (SW2_)	2.0 (SW20_)	88	12/89 08/92
MR 2 II (SW2_)	2.0 16V (SW20_)	125	12/89 05/00
MR 2 II (SW2_)	2.0 16V (SW20_)	129	12/89 07/99
MR 2 II (SW2_)	2.0 16V (SW20_)	115	12/89 09/99
MR 2 II (SW2_)	2.0 Turbo (SW20_)	180	12/89 07/99
MR 2 III (ZZW3_)	1.8 16V VT-i (ZZW30)	103	10/99 06/07

Coduri OE

Coduri OE compatibile

NISSAN	AY060TY011
TOYOTA	0446617010
TOYOTA	0446617020
TOYOTA	0446617030
TOYOTA	0446617040
TOYOTA	0446617050
TOYOTA	0446617051
TOYOTA	0446617070
TOYOTA	0446617080
TOYOTA	0446617090
TOYOTA	0446617100
TOYOTA	04466YZZC3
TOYOTA	0449217010
TOYOTA	0449217011
TOYOTA	0449217020
TOYOTA	0449217030
TOYOTA	0449217040