

## Specificații tehnice plăcuțe

**Osie**  
Anterioară

**WVA**  
21948, 21949

**Lățime**  
105 - 131,8 mm

**Grosime**  
13 mm

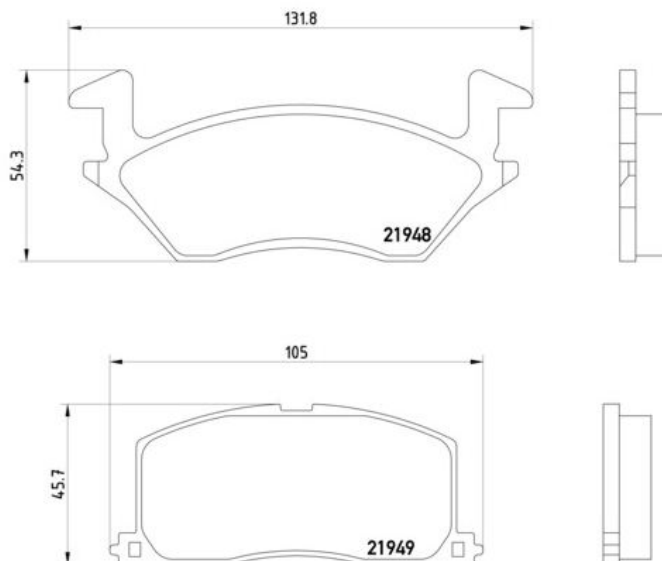
**Înălțime**  
45,7 - 54,3 mm

**Sistem de frânare**  
Akebono

**Accesorii**

**Sezor uzură**  
Acustic

**Cod EAN**  
8020584057575



## Autovehicule compatibile

### TOYOTA

Model	Tip	kW	An
STARLET (_P7_)	1.0 (EP70L)	40	10/84 12/89
STARLET (_P7_)	1.3 (EP71L)	55	10/84 12/89
STARLET (_P7_)	1.5 D (NP70L)	40	12/86 12/89
STARLET (_P8_)	1.0 (EP80_)	40	12/89 12/92
STARLET (_P8_)	1.3 12V (EP81_)	55	12/89 12/92
STARLET (_P8_)	1.3 12V Cat (EP81)	55	12/89 03/96
STARLET (_P8_)	1.3 XL	52	12/89 12/91
STARLET (_P8_)	1.5 D (NP80_)	40	12/89 03/96

## Coduri OE

### Coduri OE compatibile

NISSAN	AY040TY018
TOYOTA	0446510020
TOYOTA	0446510070
TOYOTA	04465YZZAE
TOYOTA	0449110111
TOYOTA	0449110120

TOYOTA

0449110131

---

TOYOTA

0449110141

---