

## Specificații tehnice plăcuțe

**Osie**  
Anterioară

**WWA**  
24523,24633,24634

**Lățime**  
146,8 mm

**Grosime**  
16,4 mm

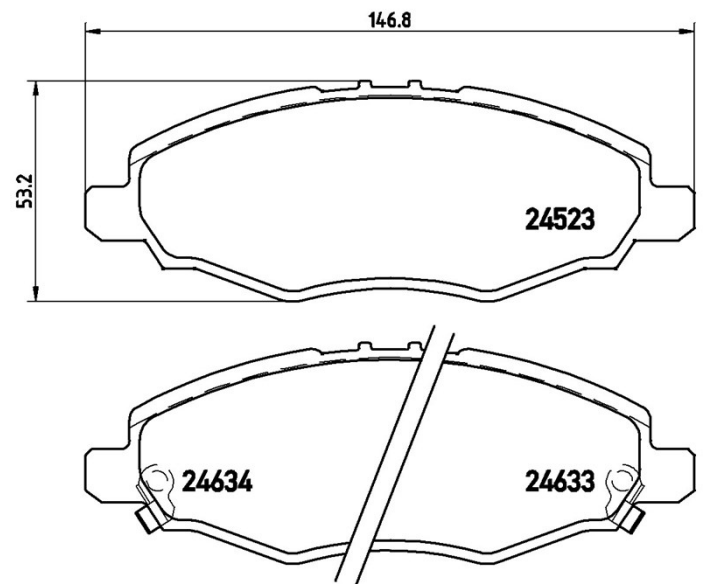
**Înălțime**  
53,2 mm

**Sistem de frânare**  
Advics

**Accesorii**

**Sezor uzură**  
Acustic

**Cod EAN**  
8020584062326



## Autovehicule compatibile

### CHRYSLER (BBDC)

Model	Tip	kW	An
SEBRING	2.0	115	01/07 12/09
SEBRING	2.4	127	01/07 12/09
SEBRING	2.7	142	01/07 12/09

### TOYOTA

Model	Tip	kW	An
HILUX VI Pickup (_N1_)	2.5 D-4D (KDN145, KDN150)	65	11/01 07/05
HILUX VII Pickup (_N1_, _N2_, _N3_)	2.0 (TGN10_, TGN15_)	98	02/05 -
HILUX VII Pickup (_N1_, _N2_, _N3_)	2.5 D-4D (KUN15_)	88	05/11 05/15
HILUX VII Pickup (_N1_, _N2_, _N3_)	2.5 D-4D (KUN15_)	75	03/05 05/15

HILUX VII Pickup (_N1_, _N2_, _N3_)	2.5 D-4D (KUN15_, KDN1_)	65	08/05 10/06
HILUX VII Pickup (_N1_, _N2_, _N3_)	2.5 D-4D 4WD (KUN25_)	94	11/04 12/05
HILUX VII Pickup (_N1_, _N2_, _N3_)	2.7 (TGN16)	118	08/05 05/15
HILUX VII Pickup (_N1_, _N2_, _N3_)	2.7 4WD (TGN26)	118	08/05 05/15
INNOVA / KIJANG INNOVA I (_N4_)	2.0 (TGN40_)	98	01/09 -
INNOVA / KIJANG INNOVA I (_N4_)	2.0 (TGN40_)	100	07/03 -
INNOVA / KIJANG INNOVA I (_N4_)	2.7 (TGN41_)	118	04/04 -

## Coduri OE

### Coduri OE compatibile

TOYOTA	044650K120
TOYOTA	044650K130
TOYOTA	044650K310
TOYOTA	04465YZZDU