

Specificații tehnice plăcuțe

Osie
Anterioară

WWA
21784,21785

Lățime
119,2 mm

Grosime
15 mm

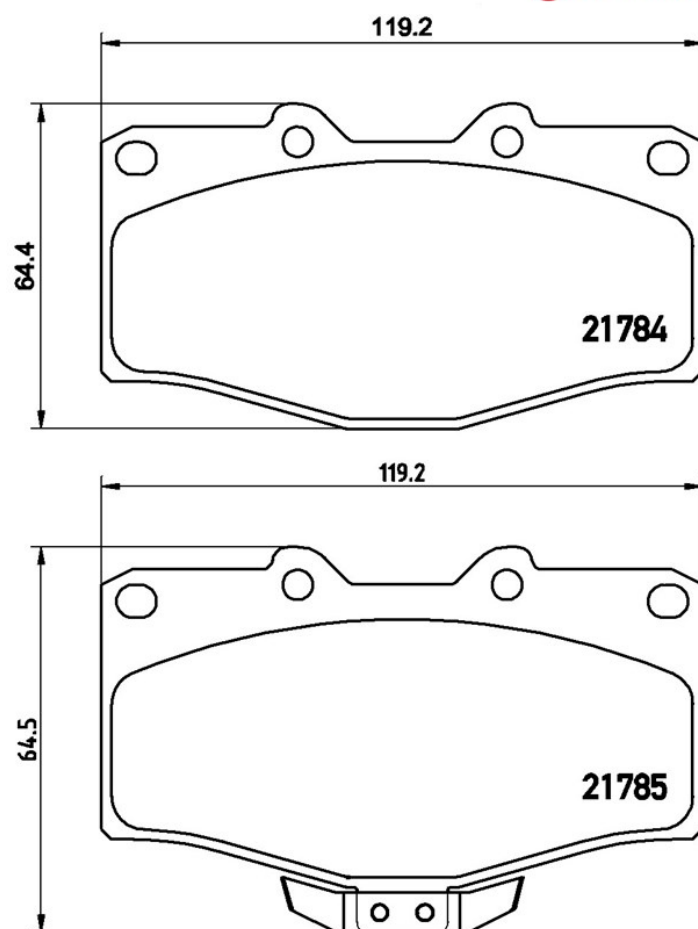
Înălțime
64,5 mm

Sistem de frânare
Sumitomo

Accesorii

Sezor uzură
Acustic

Cod EAN
8020584062333



Autovehicule compatibile

TOYOTA

Model	Tip	kW	An
HILUX IV Pickup (_N5_, _N6_)	1.8 (YN51, YN56)	58	08/83 03/89
HILUX V Pickup (_N_, KZN1_, VZN1_)	1.8 (YN5_, YN8_, YN85)	61	09/88 06/98
HILUX V Pickup (_N_, KZN1_, VZN1_)	2.4 D (LN5_, LN85_, LN90_, LN14_, LN15_)	59	10/91 07/97

HILUX V Pickup (_N_, KZN1_, VZN1_)	2.4 D (LN85_, LN110, Ln90)	61	09/88 08/97
HILUX V Pickup (_N_, KZN1_, VZN1_)	2.4 D (LN90_)	58	03/95 08/97
HILUX VI Pickup (_N1_)	2.4 D (LN150, LN145)	55	08/97 04/05
HILUX VI Pickup (_N1_)	2.5 D-4D (KDN145, KDN150)	65	11/01 07/05

Coduri OE

Coduri OE compatibile

TOYOTA	0449135111
--------	------------