



# BRAKE PAD

## P 83 164

**The P 83 164 brake pad is synonymous with reliability**

The Brembo brake pad guarantees ultimate safety when braking thanks to the use of more than 100 different compounds, designed according to the type of vehicle and use. Stopping distances reduced to a minimum, maximum driving comfort and silent operation are the most important features of Brembo materials. Brembo brake pads are supplied together with an extensive range of accessories and assembly kits for professional-standard installation.

- ✓ OE-equivalent
- ✓ Brembo quality
- ✓ ECE-R90 certificate
- ✓ Safety
- ✓ Performance
- ✓ Comfort



## Technical specifications

EAN code  
**8020584084694**

Axle  
**Rear**

Thickness  
**18 mm**

Width  
**110 mm**

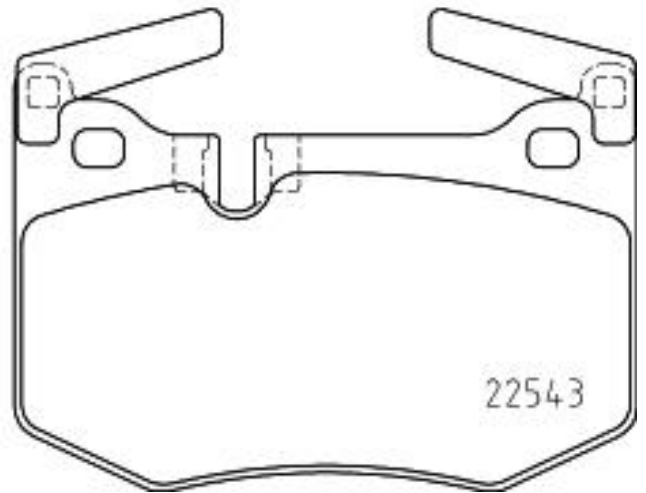
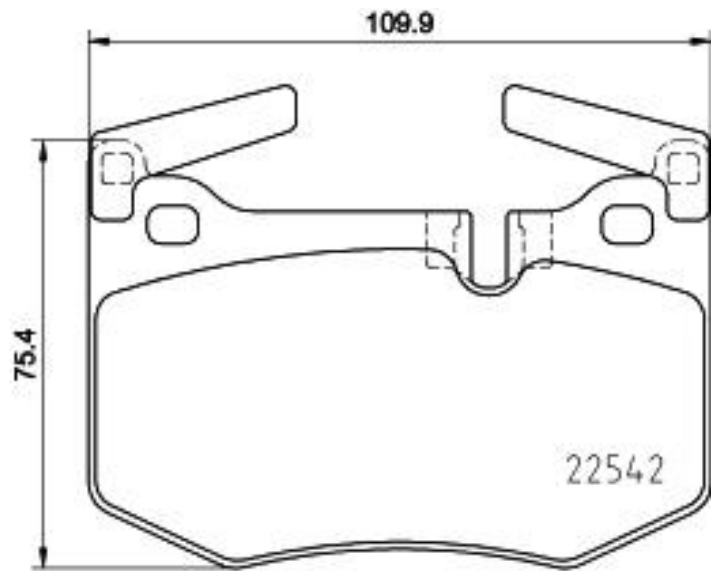
Height  
**76 mm**

Braking system  
**Sumitomo**

Wear indicator  
**Electric**

WVA number  
**22542,22543**

Accessories  
**With counterweights**



## COMPATIBLE VEHICLES

## COMPATIBLE OE PART NUMBERS

044660W070	LEXUS
044660W080	LEXUS
044660W090	LEXUS
044660W091	LEXUS
044660W100	LEXUS