

Specificații tehnice plăcuțe

Osie
Anterioară

WWA
21848, 21849

Lățime
155,8 - 156,6 mm

Grosime
19,7 mm

Înălțime
74,2 mm

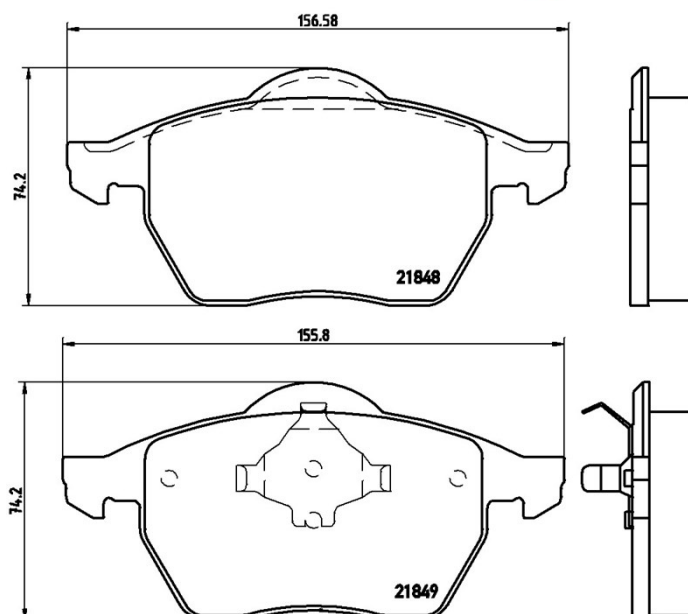
Sistem de frânare
Teves

Accesorii

Sezor uzură
Fără

Cod EAN
8020584058428





Autovehicule compatibile

FORD

Model	Tip	kW	An
GALAXY (WGR)	1.9 TDI	66	03/95 05/06
GALAXY (WGR)	1.9 TDI	81	08/97 04/00
GALAXY (WGR)	2.0 i	85	11/95 05/06
GALAXY (WGR)	2.3 16V	107	01/97 05/06
GALAXY (WGR)	2.8 i V6	128	11/95 04/00
GALAXY (WGR)	2.8 i V6 4x4	128	04/96 04/00

SEAT

Model	Tip	kW	An
ALHAMBRA (7V8, 7V9)	1.8 T 20V	110	10/97 03/10
ALHAMBRA (7V8, 7V9)	1.9 TDI	66	04/96 03/10

ALHAMBRA (7V8, 7V9)	1.9 TDI	85	06/00 03/10
ALHAMBRA (7V8, 7V9)	1.9 TDI	81	08/96 06/00
ALHAMBRA (7V8, 7V9)	2.0 i	85	04/96 03/10
VW			
Model	Tip	kW	An
SHARAN (7M8, 7M9, 7M6)	1.8 T 20V	110	09/97 03/10
SHARAN (7M8, 7M9, 7M6)	1.9 TDI	66	09/95 03/10
SHARAN (7M8, 7M9, 7M6)	1.9 TDI	81	09/96 04/00
SHARAN (7M8, 7M9, 7M6)	1.9 TDI 4motion	85	04/00 03/10
SHARAN (7M8, 7M9, 7M6)	2.0	85	09/95 03/10
SHARAN (7M8, 7M9, 7M6)	2.0 16V	110	09/95 02/00
SHARAN (7M8, 7M9, 7M6)	2.8 VR6	128	09/95 04/00
SHARAN (7M8, 7M9, 7M6)	2.8 VR6 Syncro	128	11/96 04/00

Coduri OE

Coduri OE compatibile	
AUDI	7M0698151
AUDI	7M0698151A
AUDI	7M0698151B
FORD	1001095
FORD	1027703
FORD	1031843
FORD	95VW2K021AA
FORD	95VWX2K021AA
FORD	95WX2K021AB
SEAT	7M0698151
SEAT	7M0698151A
SEAT	7M0698151B
SKODA	7M0698151
SKODA	7M0698151A
SKODA	7M0698151B
VW	7M0698151

VW

7M0698151A

VW

7M0698151B

VW (FAW)

L180698151B
