

Plăcuțe de frână P 85 054



Specificații tehnice plăcuțe

Osie
Anterioară

WWA
23119,23280,23828

Lățime
63,4 - 78,3 mm

Grosime
18,3 - 18,5 mm

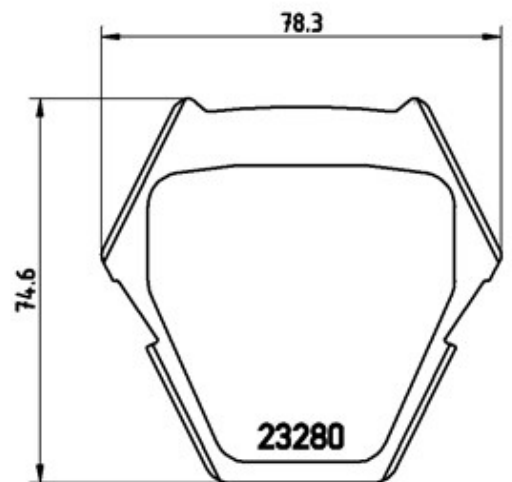
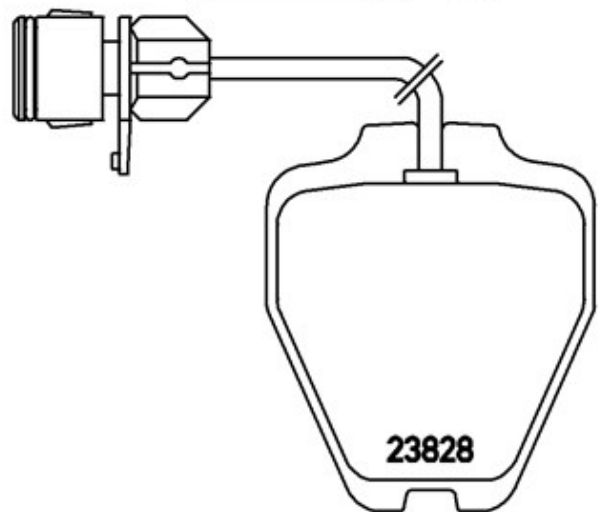
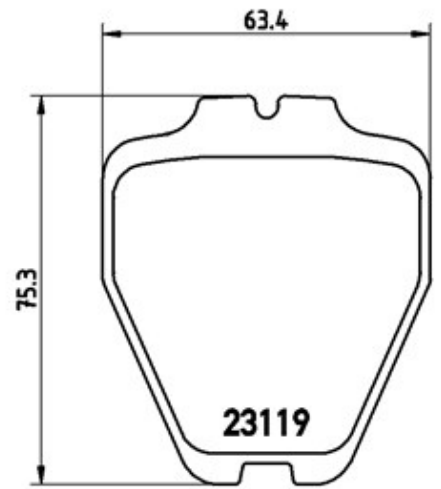
Înălțime
74,6 - 75,3 mm

Sistem de frânare
Lucas

Accesorii

Sezor uzură
Electric

Cod EAN
8020584058572



Autovehicule compatibile

AUDI

Model	Tip	kW/CV	An
A8 (4D2, 4D8)	2.5 TDI	110/150	01/97 04/00
A8 (4D2, 4D8)	2.5 TDI	132/180	09/00 09/02
A8 (4D2, 4D8)	2.5 TDI quattro	110/150	07/97 04/00
A8 (4D2, 4D8)	2.5 TDI quattro	132/180	09/00 09/02
A8 (4D2, 4D8)	2.8	142/193	04/96 09/02
A8 (4D2, 4D8)	2.8 quattro	142/193	04/96 09/02
A8 (4D2, 4D8)	3.3 TDI quattro	165/224	06/00 09/02
A8 (4D2, 4D8)	3.7	169/230	07/95 12/98
A8 (4D2, 4D8)	3.7	191/260	11/98 09/02
A8 (4D2, 4D8)	3.7 quattro	191/260	11/98 09/02
A8 (4D2, 4D8)	4.2 quattro	175/238	02/99 04/00
A8 (4D2, 4D8)	4.2 quattro	228/310	11/98 09/02
A8 (4D2, 4D8)	6.0 W12 quattro	309/420	01/01 09/02
A8 (4D2, 4D8)	S 8 quattro	265/360	06/99 09/02
A8 (4D2, 4D8)	S8 quattro	250/340	07/96 06/99

Coduri OE**Coduri OE compatibile**

AUDI	4D0698151
AUDI	4D0698151B
AUDI	4D0698151K
AUDI	4D0698151M
AUDI	4D0698151N
AUDI	4D0698151P
AUDI	4D0698151R
AUDI	4D0698151S
SEAT	4D0698151
SEAT	4D0698151B
SEAT	4D0698151K
SEAT	4D0698151M

SEAT	4D0698151N
SEAT	4D0698151P
SEAT	4D0698151R
SEAT	4D0698151S
SKODA	4D0698151
SKODA	4D0698151B
SKODA	4D0698151K
SKODA	4D0698151M
SKODA	4D0698151N
SKODA	4D0698151P
SKODA	4D0698151R
SKODA	4D0698151S
VW	4D0698151
VW	4D0698151B
VW	4D0698151K
VW	4D0698151M
VW	4D0698151N
VW	4D0698151P
VW	4D0698151R
VW	4D0698151S