



BRAKE PAD

P 11 018

The P 11 018 brake pad is synonymous with reliability

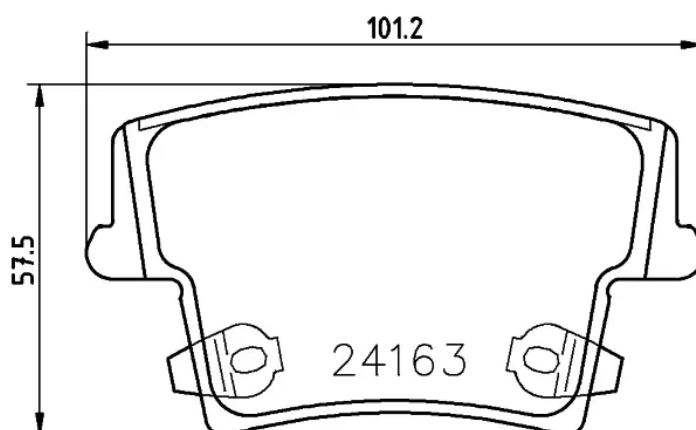
The Brembo brake pad guarantees ultimate safety when braking thanks to the use of more than 100 different compounds, designed according to the type of vehicle and use. Stopping distances reduced to a minimum, maximum driving comfort and silent operation are the most important features of Brembo materials. Brembo brake pads are supplied together with an extensive range of accessories and assembly kits for professional-standard installation.



- ✓ OE-equivalent
- ✓ Brembo quality
- ✓ ECE-R90 certificate
- ✓ Safety
- ✓ Performance
- ✓ Comfort

Technical specifications

EAN code	Thickness	
8020584060148	18 mm	
Width	Height	Braking system
101 mm	58 mm	Bosch
Wear indicator	WVA number	Accessories
Acoustic	24163	With anti-squeal shim



COMPATIBLE OE PART NUMBERS

K05142558AB

LANCIA