



BRAKE DISC

08.A459.10

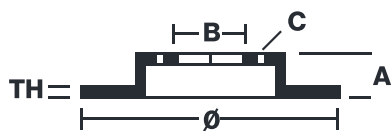
The **08.A459.10** brake disc is synonymous with reliability

The Brembo brake disc is fully interchangeable with an Original Equipment brake disc. The control of the entire production cycle allows Brembo to offer brake discs with outstanding performance levels, reliability, durability and comfort in all conditions of use. All Brembo brake discs are accompanied by the ECE-R90 homologation.

- ✓ OE-equivalent
- ✓ Brembo quality
- ✓ ECE-R90 certificate
- ✓ Safety

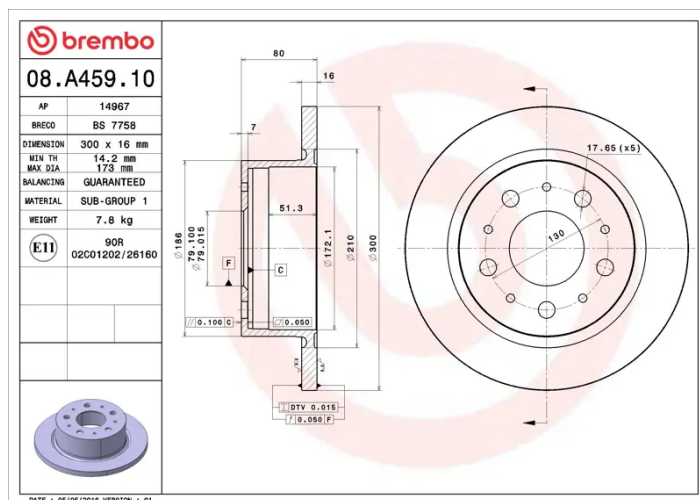


Technical specifications



EAN code 8020584019467	Axle Rear	Diameter Ø 300 mm
Thickness (TH) 16 mm	Height (A) 80 mm	Number of holes (C) 5
Brake disc type Solid	Centering (B) 79 mm	Min. thickness 14,2 mm

Tightening torque
160 Nm



COMPATIBLE VEHICLES

COMPATIBLE OE PART NUMBERS

1607880680	CITROËN
------------	---------

1611842180	CITROËN
------------	---------

1618865380	CITROËN
------------	---------

424942	CITROËN
--------	---------

4249K6	CITROËN
--------	---------

51740250	FIAT
----------	------

51749555	FIAT
----------	------

1607880680	PEUGEOT
------------	---------

1611842180	PEUGEOT
------------	---------

1618865380	PEUGEOT
------------	---------

424941	PEUGEOT
--------	---------

4249K6	PEUGEOT
--------	---------