



BRAKE DISC PAINTED

09.9162.11

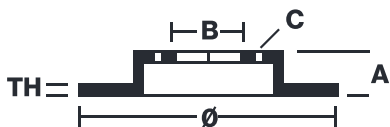
The 09.9162.11 painted brake disc is synonymous with reliability

The Brembo brake disc with special UV paint treatment guarantees superior corrosion resistance for the product, thanks to the protective coating on the outer edges and on the disc hub. The UV paint not only gives the disc a clean, shiny appearance but is also beneficial for the environment as the water-based UV paint treatment does not require the use of chemical solvents and is a low energy consumption process.

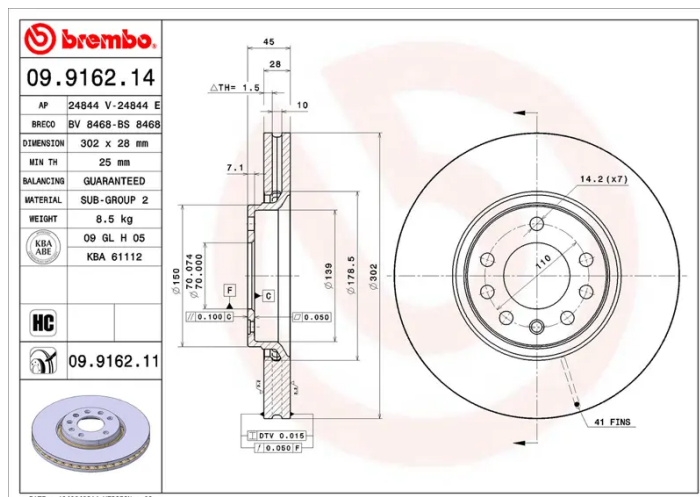
- ✓ OE-equivalent
- ✓ Brembo quality
- ✓ ECE-R90 certificate
- ✓ Safety
- ✓ High carbon
- ✓ Anti-corrosion



Technical specifications



EAN code 8020584014769	Axle Front	Diameter Ø 302 mm
Thickness (TH) 28 mm	Height (A) 45 mm	Number of holes (C) 5
Brake disc type Ventilated	Centering (B) 70 mm	Min. thickness 25 mm
Tightening torque 110 Nm		



COMPATIBLE VEHICLES

COMPATIBLE OE PART NUMBERS

93171500	CADILLAC
----------	----------

95526652	CADILLAC
----------	----------

93171500	CHEVROLET
----------	-----------

569004	OPEL
--------	------

93171500	OPEL
----------	------

95526652	OPEL
----------	------

9191247	SAAB
---------	------

93171500	SAAB
----------	------

93171500	VAUXHALL
----------	----------

95526652	VAUXHALL
----------	----------