



# BRAKE PAD PRIME CERAMIC P56048N

The P56048N NAO brake pad is synonymous with reliability

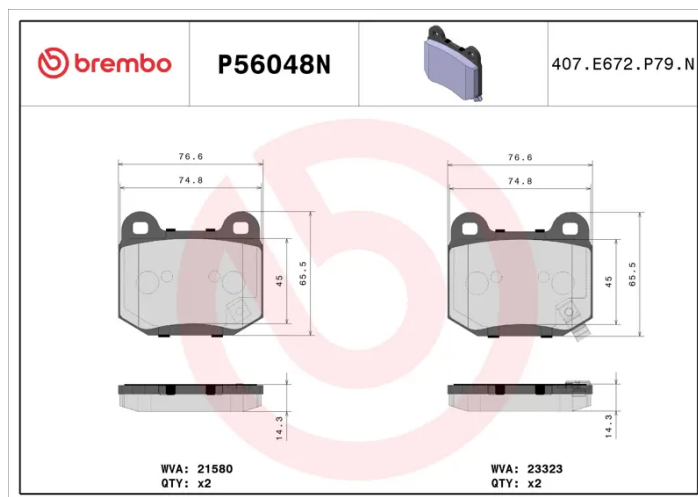
Brembo NAO brake pads stand out for their ultimate braking comfort, reduced friction wear and low dust mission, which makes for cleaner rims and reduced maintenance requirements. The advanced friction material in keeping with the strictest environmental standards is the main distinguishing feature of NAO compounds.

- ✓ OE-equivalent
- ✓ Brembo quality
- ✓ Safety
- ✓ Comfort
- ✓ Durability
- ✓ Dust reduction
- ✓ With accessories



## Technical specifications

EAN code <b>8020584098875</b>	Axle <b>Rear</b>	Thickness <b>14 mm</b>
Width <b>77 mm</b>	Height <b>65 mm</b>	Braking system <b>Brembo</b>
Wear indicator <b>Acoustic</b>	WVA number <b>21580,23323</b>	Accessories <b>With anti-squeal shim</b>



COMPATIBLE VEHICLES

## COMPATIBLE OE PART NUMBERS

370230042	MASERATI
980139069	MASERATI
4605A050	MITSUBISHI
4605B928	MITSUBISHI
4605C034	MITSUBISHI
MR407391	MITSUBISHI
4406012U87	NISSAN
44060AB085	NISSAN
44060CD026	NISSAN
44060CD094	NISSAN
D4060CD00B	NISSAN
D4060CD01B	NISSAN
D406MCD01J	NISSAN
D40F0CD00B	NISSAN
D40F0CD01B	NISSAN
D40F0CD026	NISSAN
D40F0CD094	NISSAN
D4MFMCD01J	NISSAN
26696FE000	SUBARU
26696FE001	SUBARU
26696FE080	SUBARU
26696FE081	SUBARU
26696FG000	SUBARU
ST2629688050	SUBARU
SU00307219	TOYOTA