

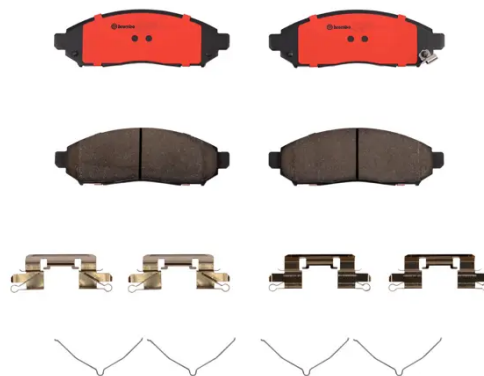


# BRAKE PAD PRIME CERAMIC P56059N

The P56059N NAO brake pad is synonymous with reliability

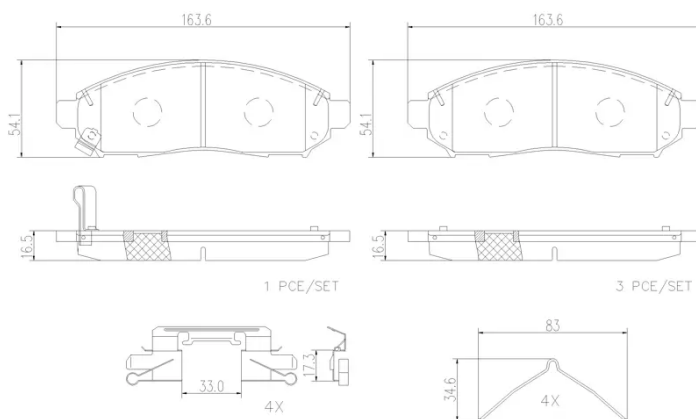
Brembo NAO brake pads stand out for their ultimate braking comfort, reduced friction wear and low dust mission, which makes for cleaner rims and reduced maintenance requirements. The advanced friction material in keeping with the strictest environmental standards is the main distinguishing feature of NAO compounds.

- ✓ OE-equivalent
- ✓ Brembo quality
- ✓ Safety
- ✓ Comfort
- ✓ Durability
- ✓ Dust reduction
- ✓ With accessories



## Technical specifications

EAN code <b>8020584098929</b>	Axle <b>Front</b>	Thickness <b>16 mm</b>
Width <b>164 mm</b>	Height <b>54 mm</b>	Braking system <b>Tokico</b>
Wear indicator <b>Acoustic</b>	WVA number <b>24227,24228</b>	Accessories <b>With anti-squeal shim</b>



**COMPATIBLE VEHICLES**

## COMPATIBLE OE PART NUMBERS

41060EA025 NISSAN

41060EB326 NISSAN

41060ZP00B NISSAN

41060ZP025 NISSAN

AY040NS130 NISSAN

AY040NS137 NISSAN

AY040NS156 NISSAN

AY040NS163 NISSAN

AY040NS174 NISSAN

AY040NS175 NISSAN

D1060EB71A NISSAN

DA060EB326 NISSAN

5521050Z00 SUZUKI

5521050Z00000 SUZUKI

5521050Z10 SUZUKI

5521050Z10000 SUZUKI

5521050Z11 SUZUKI

5521050Z11000 SUZUKI

5521082Z00 SUZUKI

5521082Z00000 SUZUKI

5521082Z01 SUZUKI

5521082Z20 SUZUKI

5521082Z20000 SUZUKI

5581051Z00 SUZUKI

5581051Z00000 SUZUKI

5581051Z20 SUZUKI

5581051Z20000 SUZUKI