

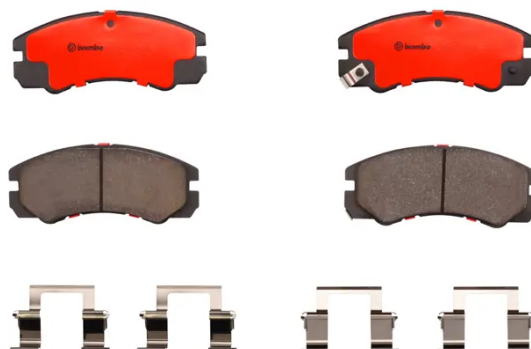


BRAKE PAD PRIME CERAMIC P59020N

The P59020N NAO brake pad is synonymous with reliability

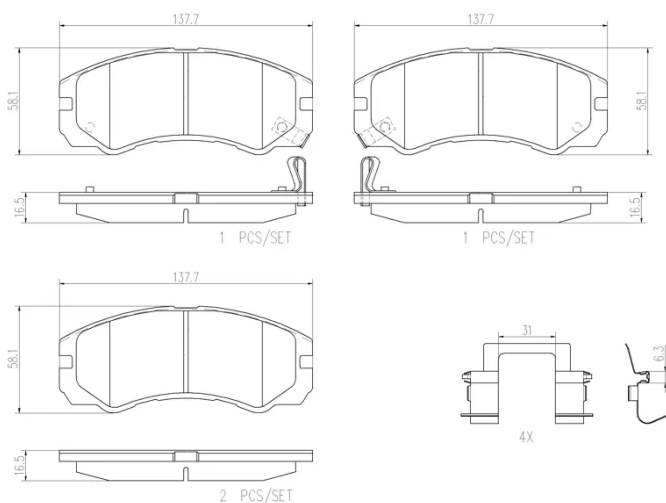
Brembo NAO brake pads stand out for their ultimate braking comfort, reduced friction wear and low dust mission, which makes for cleaner rims and reduced maintenance requirements. The advanced friction material in keeping with the strictest environmental standards is the main distinguishing feature of NAO compounds.

- ✓ OE-equivalent
- ✓ Brembo quality
- ✓ Safety
- ✓ Comfort
- ✓ Durability
- ✓ Dust reduction
- ✓ With accessories



Technical specifications

EAN code 8020584099063	Axle Front	Thickness 17 mm
Width 138 mm	Height 58 mm	Braking system Akebono
Wear indicator Acoustic	WVA number 21845,21846,21847	Accessories With anti-squeal shim



COMPATIBLE VEHICLES

COMPATIBLE OE PART NUMBERS

8970700790 HONDA

897035257 ISUZU

8970352570 ISUZU

8970352571 ISUZU

897047526 ISUZU

8970475260 ISUZU

8970475261 ISUZU

897070079 ISUZU

8970700790 ISUZU

897113888 ISUZU

8971138880 ISUZU

8971317480 ISUZU

897175531 ISUZU

8971755310 ISUZU

897180525 ISUZU

8971805250 ISUZU

8971805251 ISUZU

897191014 ISUZU

8971910140 ISUZU

897206864 ISUZU

8972068640 ISUZU

897206866 ISUZU

8972068660 ISUZU

897206868 ISUZU

8972068680 ISUZU

897206869 ISUZU

8972068690 ISUZU

AY0405Z001 NISSAN

1605017 OPEL

1605848 OPEL

1605852 OPEL

1605913 OPEL

9192177 OPEL

93169002 OPEL

97113888 OPEL

97180525 OPEL

97047526 VAUXHALL
