



# BRAKE PAD

## P 06 041

The P 06 041 brake pad is synonymous with reliability

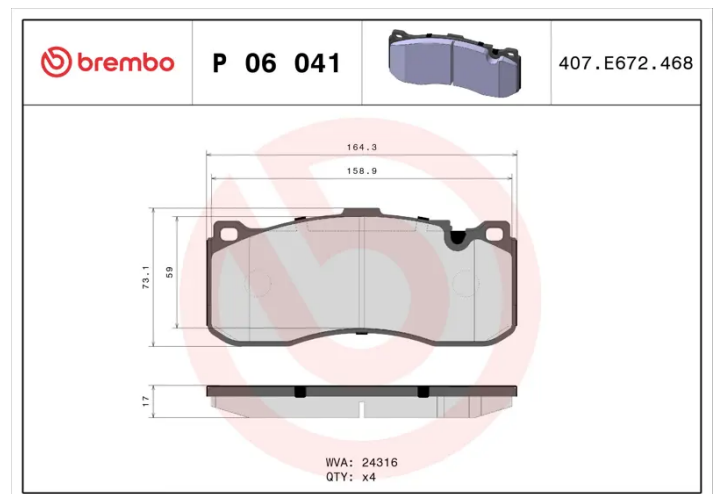
The Brembo brake pad guarantees ultimate safety when braking thanks to the use of more than 100 different compounds, designed according to the type of vehicle and use. Stopping distances reduced to a minimum, maximum driving comfort and silent operation are the most important features of Brembo materials. Brembo brake pads are supplied together with an extensive range of accessories and assembly kits for professional-standard installation.

- ✓ OE-equivalent
- ✓ Brembo quality
- ✓ ECE-R90 certificate
- ✓ Safety
- ✓ Performance
- ✓ Comfort



### Technical specifications

EAN code <b>8020584059890</b>	Axle <b>Front</b>	Thickness <b>17 mm</b>
Width <b>165 mm</b>	Height <b>74 mm</b>	Braking system <b>Brembo</b>
Wear indicator <b>Prepared for wear indicator</b>	WVA number <b>24316</b>	Accessories <b>With anti-squeal shim</b>



COMPATIBLE VEHICLES

## COMPATIBLE OE PART NUMBERS

34116784807	BMW
-------------	-----

---

34116786044	BMW
-------------	-----

---

34116797860	BMW
-------------	-----

---

34106860642	MINI
-------------	------

---

6860642	MINI
---------	------

---