



# BRAKE PAD XTRA P 23 115X

The P 23 115X Xtra brake pad is synonymous with reliability

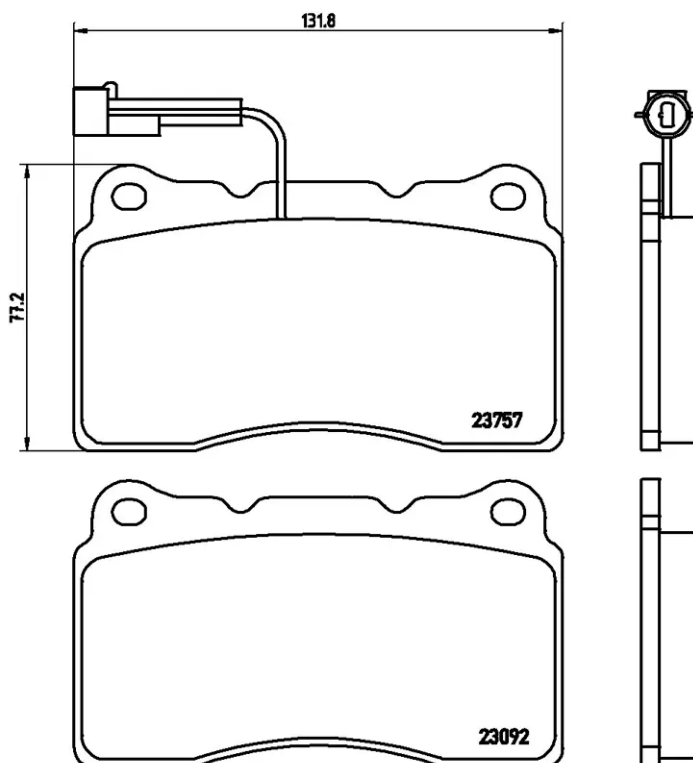
Brembo Xtra brake pads, developed to enhance the advantages of the Xtra and Max discs, are made using the special BRM X L01 compound which consists of more than 30 different components. Compared with the compound used for original-equivalent pads, the new solution assures a higher friction coefficient, which translates to more precise and stable braking, at both high and low temperatures. All this makes for greater driving comfort and improved pedal modularity, without compromising the product's mileage output.



- ✓ OE-equivalent
- ✓ Brembo quality
- ✓ ECE-R90 certificate
- ✓ Safety
- ✓ Performance
- ✓ Sports driving

## Technical specifications

EAN code <b>8020584121467</b>	Axle <b>Front</b>	Thickness <b>16 mm</b>
Width <b>132 mm</b>	Height <b>77 mm</b>	Braking system <b>Brembo</b>
Wear indicator <b>Electric</b>	WVA number <b>23092,23757</b>	Accessories <b>With anti-squeal shim</b>



## COMPATIBLE OE PART NUMBERS

71765647	ALFA ROMEO
77364516	ALFA ROMEO
77365266	LANCIA
980156041	MASERATI
980156147	MASERATI
980157007	MASERATI