



# BRAKE PAD

## P 23 144

The P 23 144 brake pad is synonymous with reliability

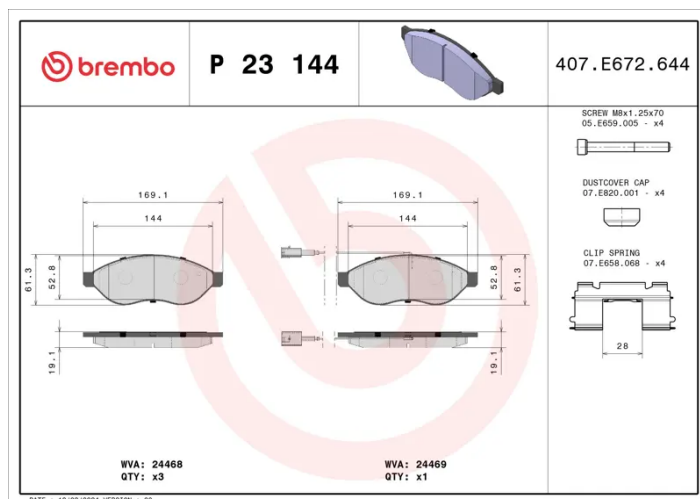
The Brembo brake pad guarantees ultimate safety when braking thanks to the use of more than 100 different compounds, designed according to the type of vehicle and use. Stopping distances reduced to a minimum, maximum driving comfort and silent operation are the most important features of Brembo materials. Brembo brake pads are supplied together with an extensive range of accessories and assembly kits for professional-standard installation.

- ✓ OE-equivalent
- ✓ Brembo quality
- ✓ ECE-R90 certificate
- ✓ Safety
- ✓ Performance
- ✓ Comfort
- ✓ With accessories



### Technical specifications

EAN code <b>8020584108833</b>	Axle <b>Front</b>	Thickness <b>19 mm</b>
Width <b>169 mm</b>	Height <b>62 mm</b>	Braking system <b>Brembo</b>
Wear indicator <b>Electric</b>	WVA number <b>24468,24469</b>	Accessories <b>With accessories With anti-squeal shim With brake caliper bolts</b>



**COMPATIBLE VEHICLES**

## COMPATIBLE OE PART NUMBERS

1411457380	CITROËN
1612433980	CITROËN
1647864180	CITROËN
425357	CITROËN
425358	CITROËN
425462	CITROËN
6001073131	FIAT
71770032	FIAT
71773146	FIAT
77364160	FIAT
77366018	FIAT
77366019	FIAT
77366020	FIAT
77367091	FIAT
1607878580	PEUGEOT
1612433980	PEUGEOT
1623842480	PEUGEOT
1647864180	PEUGEOT
425357	PEUGEOT
425358	PEUGEOT
425462	PEUGEOT
1647863980	VAUXHALL