



BRAKE PAD

P 30 031

The P 30 031 brake pad is synonymous with reliability

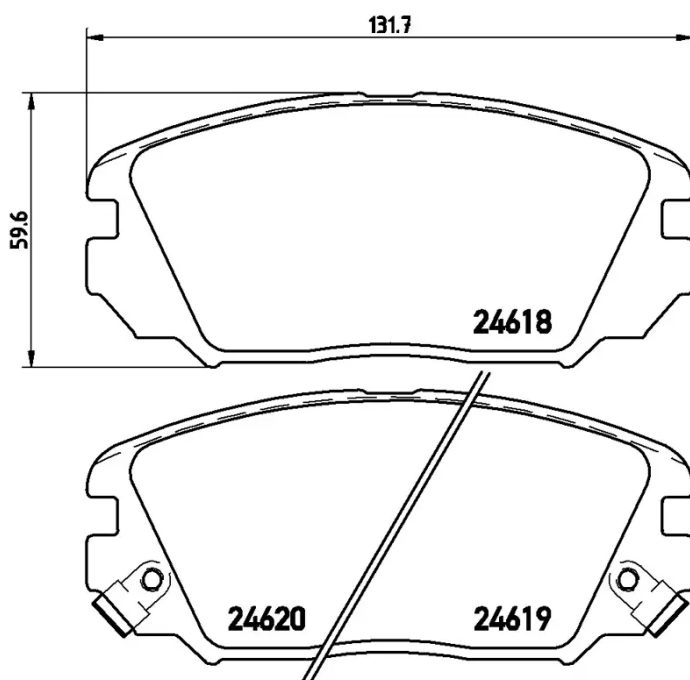
The Brembo brake pad guarantees ultimate safety when braking thanks to the use of more than 100 different compounds, designed according to the type of vehicle and use. Stopping distances reduced to a minimum, maximum driving comfort and silent operation are the most important features of Brembo materials. Brembo brake pads are supplied together with an extensive range of accessories and assembly kits for professional-standard installation.

- ✓ OE-equivalent
- ✓ Brembo quality
- ✓ ECE-R90 certificate
- ✓ Safety
- ✓ Performance
- ✓ Comfort
- ✓ With accessories



Technical specifications

EAN code 8020584060698	Axle Front	Thickness 18 mm
Width 132 mm	Height 60 mm	Braking system Mando
Wear indicator Acoustic	WVA number 24618,24619,24620	Accessories With accessories With anti-squeal shim



COMPATIBLE OE PART NUMBERS

581013KA31

HYUNDAI

581013LA20

HYUNDAI