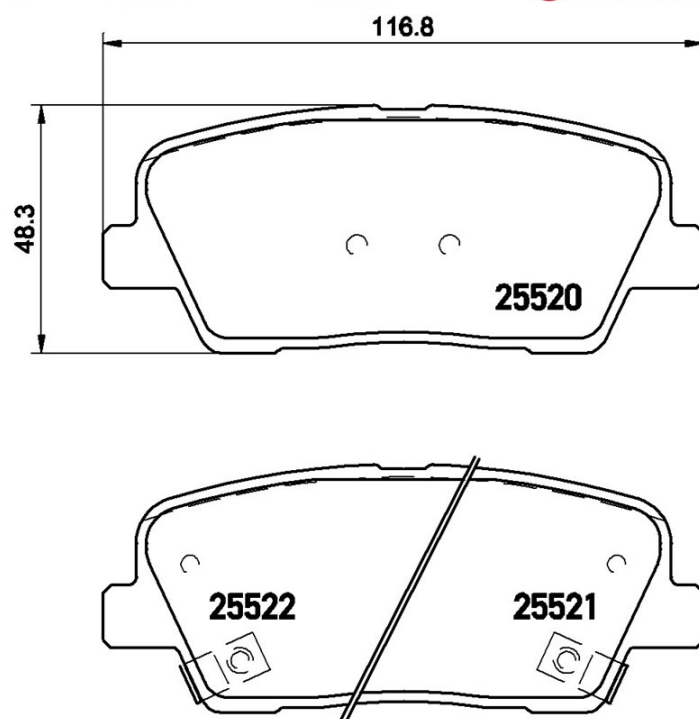


Технические характеристики колодок

Мост Задний	WVA 25520, 25521, 25522
Ширина 116,8 мм	Толщина 15,5 мм
Высота 48,3 мм	Тормозная система Mando
Аксессуары С аксессуарами	Датчик износа Звуковой датчик износа
Код EAN 8020584104767	



Совместимые автомобили

HYUNDAI

Модель	Тип	КВт	Год
GRAND SANTA FÉ	2.0 T-GDI	177	08/15 -
GRAND SANTA FÉ	2.2 CRDi	147	09/13 -
GRAND SANTA FÉ	2.2 CRDi All-wheel Drive	145	06/13 -
GRAND SANTA FÉ	2.2 CRDi All-wheel Drive	147	10/15 -
GRAND SANTA FÉ	3.0 GDI All-wheel Drive	194	07/13 -
GRAND SANTA FÉ	3.3	183	01/14 -
GRAND SANTA FÉ	3.3	199	12/14 -

GRAND SANTA FÉ	3.3 All-wheel Drive	199	02/14 -
GRAND SANTA FÉ	3.3 GDi	213	06/15 -
GRAND SANTA FÉ	3.3 GDi All-wheel Drive	210	07/13 -
SANTA FÉ I (SM)	2.7	129	08/04 03/06
SANTA FÉ II (CM)	2.0 CRDi	135	01/09 12/12
SANTA FÉ II (CM)	2.0 CRDi	110	12/10 12/12
SANTA FÉ II (CM)	2.0 CRDi 4x4	85	03/06 12/12
SANTA FÉ II (CM)	2.0 CRDi 4x4	135	03/06 12/12
SANTA FÉ II (CM)	2.0 CRDi 4x4	110	12/10 12/12
SANTA FÉ II (CM)	2.2 CRDi	147	01/09 12/10
SANTA FÉ II (CM)	2.2 CRDi	145	01/09 12/12
SANTA FÉ II (CM)	2.2 CRDi	114	03/06 12/09
SANTA FÉ II (CM)	2.2 CRDi	102	03/06 12/12
SANTA FÉ II (CM)	2.2 CRDi 4x4	145	01/09 12/12
SANTA FÉ II (CM)	2.2 CRDi 4x4	147	01/09 12/12
SANTA FÉ II (CM)	2.2 CRDi 4x4	114	03/06 12/09
SANTA FÉ II (CM)	2.2 CRDi 4x4	102	03/06 12/12
SANTA FÉ II (CM)	2.2 CRDi GLS	110	03/06 12/09
SANTA FÉ II (CM)	2.2 CRDi GLS 4x4	110	03/06 12/09
SANTA FÉ II (CM)	2.4	130	09/09 12/12
SANTA FÉ II (CM)	2.4	128	11/10 12/12
SANTA FÉ II (CM)	2.4 4x4	128	07/10 12/12
SANTA FÉ II (CM)	2.7	125	03/06 12/12
SANTA FÉ II (CM)	2.7 4x4	147	01/07 12/12
SANTA FÉ II (CM)	2.7 4x4	125	03/06 12/12
SANTA FÉ II (CM)	2.7 V6 GLS	139	03/06 12/09
SANTA FÉ II (CM)	2.7 V6 GLS 4x4	139	03/06 12/09
SANTA FÉ II (CM)	3.3 Dynamic 4x4	173	03/06 12/12
SANTA FÉ II (CM)	3.5 4x4	206	09/09 12/12
SANTA FÉ II (CM)	3.5 4x4	204	08/11 12/12
SANTA FÉ III (DM)	2.0	197	09/12 -

SANTA FÉ III (DM)	2.0 CRDi	110	09/12 -
SANTA FÉ III (DM)	2.0 CRDi 4WD	110	09/12 -
SANTA FÉ III (DM)	2.2 CRDi	149	06/15 -
SANTA FÉ III (DM)	2.2 CRDi	145	09/12 12/15
SANTA FÉ III (DM)	2.2 CRDi 4WD	149	06/15 -
SANTA FÉ III (DM)	2.2 CRDi 4WD	145	09/12 12/15
SANTA FÉ III (DM)	2.4	141	09/12 12/15
SANTA FÉ III (DM)	2.4 4WD	141	09/12 -
SANTA FÉ III (DM)	2.4 CCVT	129	09/12 -
SANTA FÉ III (DM)	2.4 CCVT AWD	129	09/12 -
SANTA FÉ III (DM)	3.0 GDi	194	01/13 -
SANTA FÉ III (DM)	3.0 GDi 4WD	194	01/13 -
SANTA FÉ III (DM)	3.3	199	03/14 -
SANTA FÉ III (DM)	3.3 4WD	199	03/14 -
SANTA FÉ III (DM)	3.3 GDi 4WD	213	06/15 -
SANTA FÉ IV (TM)	2.0	173	02/18 -
SANTA FÉ IV (TM)	2.0 AWD	173	02/18 -
SANTA FÉ IV (TM)	2.0 D	137	02/18 -
SANTA FÉ IV (TM)	2.0 D AWD	137	02/18 -
SANTA FÉ IV (TM)	2.2 D	149	02/18 -
SANTA FÉ IV (TM)	2.2 D AWD	149	02/18 -
KIA			
Модель	Тип	КВт	Год
BORREGO	3.0 CRDi	191	01/11 -
BORREGO	3.0 CRDi	184	11/07 -
BORREGO	3.0 CRDi 4WD	184	11/07 -
BORREGO	3.8	202	06/08 12/13
BORREGO	3.8 4WD	202	06/08 -
BORREGO	3.8 4WD	201	12/14 -
BORREGO	4.6	250	09/08 12/11
BORREGO	4.6 4WD	250	06/08 -
SORENTO II (XM)	2.0 CRDi	135	11/09 12/15

SORENTO II (XM)	2.0 CRDi	110	11/10 -
SORENTO II (XM)	2.0 CRDi 4WD	135	11/09 12/15
SORENTO II (XM)	2.0 CRDi 4WD	110	11/10 -
SORENTO II (XM)	2.2 CRDi	145	11/09 -
SORENTO II (XM)	2.2 CRDi	147	11/09 -
SORENTO II (XM)	2.2 CRDi 4WD	145	11/09 -
SORENTO II (XM)	2.4 CVT	141	10/12 -
SORENTO II (XM)	2.4 CVT	128	11/09 -
SORENTO II (XM)	2.4 CVT 4WD	141	10/12 -
SORENTO II (XM)	2.4 CVT 4WD	128	11/09 -
SORENTO II (XM)	2.4 GDI	141	10/12 -
SORENTO II (XM)	2.4 GDI 4WD	141	10/12 -
SORENTO II (XM)	2.4 LPG	126	04/10 12/15
SORENTO II (XM)	2.4 LPG 4WD	126	04/10 12/15
SORENTO II (XM)	2.7 LPI	119	11/09 12/15
SORENTO II (XM)	3.5	203	11/09 -
SORENTO II (XM)	3.5	207	11/09 -
SORENTO II (XM)	3.5	204	05/13 -
SORENTO II (XM)	3.5 4WD	203	11/09 -
SORENTO II (XM)	3.5 4WD	204	05/13 -

SSANGYONG

Модель	Тип	КВт	Год
MUSSO	2.2 e-XDi 4WD	133	01/18 -

Код OE

Соответствующие коды OE

HYUNDAI	583022BA50
HYUNDAI	583022PA70
HYUNDAI	583022WA00
HYUNDAI	583022WA01
HYUNDAI	583022WA30

HYUNDAI	583022WA70
HYUNDAI	583023NA91
HYUNDAI	583024DU02
KIA	583020WA00
KIA	583021UA50
KIA	583022JA00
KIA	583022PA70
SSANGYONG	48413380B0