



BRAKE PAD

P 36 018

The P 36 018 brake pad is synonymous with reliability

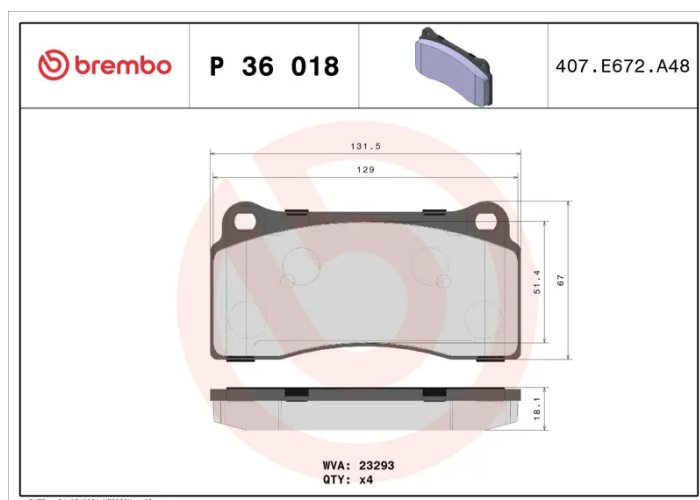
The Brembo brake pad guarantees ultimate safety when braking thanks to the use of more than 100 different compounds, designed according to the type of vehicle and use. Stopping distances reduced to a minimum, maximum driving comfort and silent operation are the most important features of Brembo materials. Brembo brake pads are supplied together with an extensive range of accessories and assembly kits for professional-standard installation.

- ✓ OE-equivalent
- ✓ Brembo quality
- ✓ ECE-R90 certificate
- ✓ Safety
- ✓ Performance
- ✓ Comfort



Technical specifications

| | | |
|----------------------------------|-------------------------------|---|
| EAN code 8020584060841 | Axle Front and rear | Thickness 18 mm |
| Width 132 mm | Height 67 mm | Braking system Brembo |
| Wear indicator Without | WVA number 23293 | Accessories With anti-squeal shim |



COMPATIBLE VEHICLES

COMPATIBLE OE PART NUMBERS

| | |
|-----------|--------------|
| 2886280PK | ASTON MARTIN |
|-----------|--------------|

| | |
|----------|---------|
| JLM21280 | DAIMLER |
|----------|---------|

| | |
|-----------|---------|
| MXD1550AA | DAIMLER |
|-----------|---------|

| | |
|-------------|--------|
| 02MXD1550AB | JAGUAR |
|-------------|--------|

| | |
|----------|--------|
| JLM21280 | JAGUAR |
|----------|--------|

| | |
|-----------|--------|
| MXD1550AA | JAGUAR |
|-----------|--------|

| | |
|-----------|--------|
| MXD1550AB | JAGUAR |
|-----------|--------|

| | |
|------------|--------|
| D4060JF20C | NISSAN |
|------------|--------|