



# BRAKE PAD

## P 54 063

The P 54 063 brake pad is synonymous with reliability



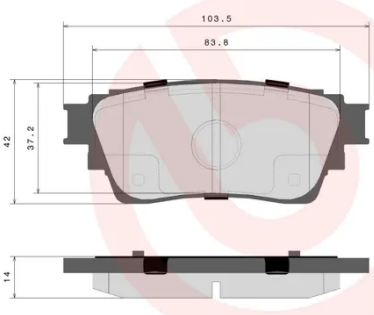

The Brembo brake pad guarantees ultimate safety when braking thanks to the use of more than 100 different compounds, designed according to the type of vehicle and use. Stopping distances reduced to a minimum, maximum driving comfort and silent operation are the most important features of Brembo materials. Brembo brake pads are supplied together with an extensive range of accessories and assembly kits for professional-standard installation.

- ✓ OE-equivalent
- ✓ Brembo quality
- ✓ ECE-R90 certificate
- ✓ Safety
- ✓ Performance
- ✓ Comfort



### Technical specifications

EAN code <b>8020584117477</b>	Axle <b>Rear</b>	Thickness <b>14 mm</b>
Width <b>104 mm</b>	Height <b>42 mm</b>	Braking system <b>Advics</b>
Wear indicator <b>Acoustic</b>	WVA number <b>22864</b>	Accessories <b>With anti-squeal shim</b>

	<b>P 54 063</b>		407.E672.991
			ANTIRATTLE SPRING 07.E657.019 - X4 
<small>DATE : 09/09/2022 VERSION : 00</small>			

**COMPATIBLE VEHICLES**

## COMPATIBLE OE PART NUMBERS

4605B560	MITSUBISHI
4605B562	MITSUBISHI
4605B987	MITSUBISHI
4605B989	MITSUBISHI
4605B989S1	MITSUBISHI
4605B560	MITSUBISHI (GAC)