



# BRAKE PAD

## P 59 040

The P 59 040 brake pad is synonymous with reliability

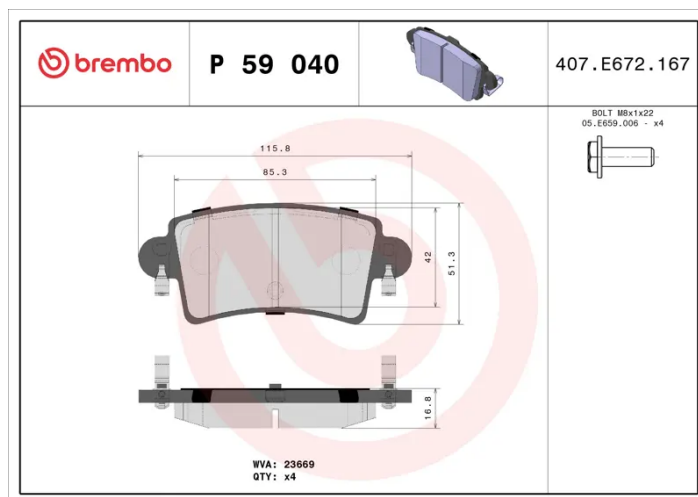
The Brembo brake pad guarantees ultimate safety when braking thanks to the use of more than 100 different compounds, designed according to the type of vehicle and use. Stopping distances reduced to a minimum, maximum driving comfort and silent operation are the most important features of Brembo materials. Brembo brake pads are supplied together with an extensive range of accessories and assembly kits for professional-standard installation.

- ✓ OE-equivalent
- ✓ Brembo quality
- ✓ ECE-R90 certificate
- ✓ Safety
- ✓ Performance
- ✓ Comfort
- ✓ With accessories



### Technical specifications

EAN code <b>8020584055717</b>	Axle <b>Rear</b>	Thickness <b>17 mm</b>
Width <b>116 mm</b>	Height <b>51 mm</b>	Braking system <b>Bosch</b>
Wear indicator <b>Without</b>	WVA number <b>23669</b>	Accessories <b>With accessories</b> <b>With anti-squeal shim</b> <b>With brake caliper bolts</b>



COMPATIBLE VEHICLES

## COMPATIBLE OE PART NUMBERS

93173182	GENERAL MOTORS
4406000QAE	NISSAN
1605982	OPEL
4403467	OPEL
9111467	OPEL
93173182	OPEL
95515197	OPEL
7701206763	RENAULT
8660004483	RENAULT
8671016747	RENAULT
95515197	VAUXHALL