



BRAKE PAD

P 61 098

The P 61 098 brake pad is synonymous with reliability

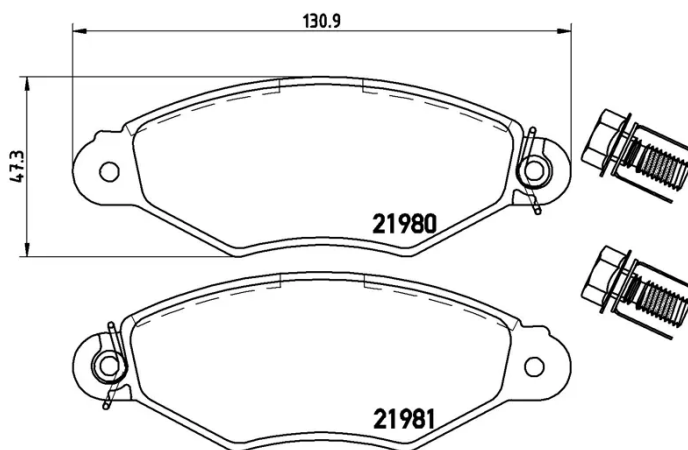
The Brembo brake pad guarantees ultimate safety when braking thanks to the use of more than 100 different compounds, designed according to the type of vehicle and use. Stopping distances reduced to a minimum, maximum driving comfort and silent operation are the most important features of Brembo materials. Brembo brake pads are supplied together with an extensive range of accessories and assembly kits for professional-standard installation.

- ✓ OE-equivalent
- ✓ Brembo quality
- ✓ ECE-R90 certificate
- ✓ Safety
- ✓ Performance
- ✓ Comfort
- ✓ With accessories



Technical specifications

EAN code 8020584061763	Axle Front	Thickness 18 mm
Width 131 mm	Height 47 mm	Braking system Bosch
Wear indicator Without	WVA number 21980,21981	Accessories With accessories With anti-squeal shim With brake caliper bolts



COMPATIBLE VEHICLES

COMPATIBLE OE PART NUMBERS

172082	CITROËN
425169	CITROËN
425191	CITROËN
425192	CITROËN
425204	CITROËN
425205	CITROËN
425319	CITROËN
0000009940566	FIAT
0000009941208	FIAT
0000009944861	FIAT
0000071770968	FIAT
425169	PEUGEOT
425191	PEUGEOT
425192	PEUGEOT
425204	PEUGEOT
425205	PEUGEOT
425319	PEUGEOT
8660004560	RENAULT