



BRAKE PAD

P 61 103

The P 61 103 brake pad is synonymous with reliability



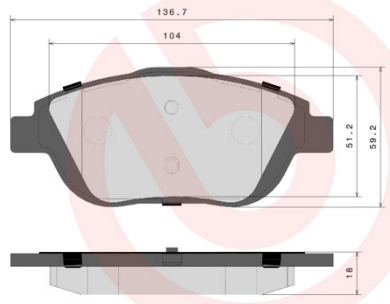

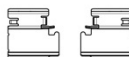
The Brembo brake pad guarantees ultimate safety when braking thanks to the use of more than 100 different compounds, designed according to the type of vehicle and use. Stopping distances reduced to a minimum, maximum driving comfort and silent operation are the most important features of Brembo materials. Brembo brake pads are supplied together with an extensive range of accessories and assembly kits for professional-standard installation.

- ✓ OE-equivalent
- ✓ Brembo quality
- ✓ ECE-R90 certificate
- ✓ Safety
- ✓ Performance
- ✓ Comfort
- ✓ With accessories



Technical specifications

EAN code 8020584090763	Axle Front	Thickness 18 mm
Width 137 mm	Height 59 mm	Braking system Bosch
Wear indicator Without	WVA number 24883	Accessories With brake caliper bolts With accessories

	P 61 103		407.E672.199
		SCREW M8x1x22 05.E659.003 - x4  CLIP SPRING 07.E658.005 - x4/x4 	
WVA: 24883 QTY: x4			
DATE : 06/02/2024 VERSION : 00			

COMPATIBLE VEHICLES

COMPATIBLE OE PART NUMBERS

1607083180 CITROËN

161140580 CITROËN

1611837880 CITROËN

1613192580 CITROËN

1617275680 CITROËN

1617293780 CITROËN

1629038380 CITROËN

1684909680 CITROËN

425431 CITROËN

1607083180 DS

1613192580 DS

1617275680 DS

425431 DS

1647863580 OPEL

3649095 OPEL

1607083180 PEUGEOT

161140580 PEUGEOT

1611837880 PEUGEOT

1613192580 PEUGEOT

1617275680 PEUGEOT

1629038380 PEUGEOT

425431 PEUGEOT

9862568880 PEUGEOT

3649095 VAUXHALL
