



BRAKE PAD

P 65 010

The P 65 010 brake pad is synonymous with reliability

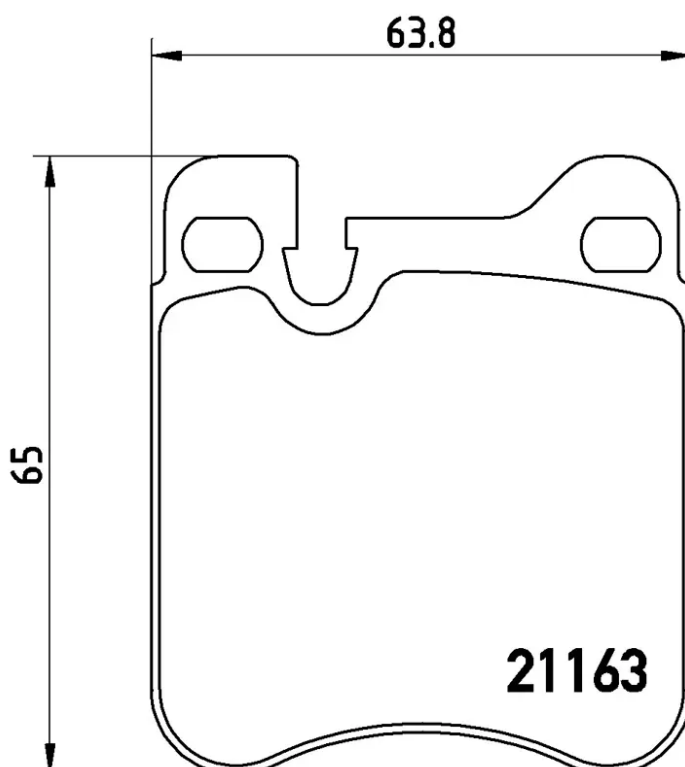
The Brembo brake pad guarantees ultimate safety when braking thanks to the use of more than 100 different compounds, designed according to the type of vehicle and use. Stopping distances reduced to a minimum, maximum driving comfort and silent operation are the most important features of Brembo materials. Brembo brake pads are supplied together with an extensive range of accessories and assembly kits for professional-standard installation.

- ✓ OE-equivalent
- ✓ Brembo quality
- ✓ ECE-R90 certificate
- ✓ Safety
- ✓ Performance
- ✓ Comfort



Technical specifications

EAN code	Axle	Thickness
8020584061817	Rear	15 mm
Width	Height	Braking system
64 mm	65 mm	Teves
Wear indicator	WVA number	Accessories
Prepared for wear indicator	21163	With anti-squeal shim



COMPATIBLE OE PART NUMBERS

96409435251	PORSCHE
96435294002	PORSCHE
96435294900	PORSCHE
96435294901	PORSCHE
96435294902	PORSCHE
96435294903	PORSCHE