

Tekniska data för bromsskivan

Axel Bak	Diameter 270 mm
Total höjd (A) 67 mm	Centreringsdiameter (B) 65,5 mm
Antal hål (C) 5	Tjocklek (TH) 10 mm
Min. tjocklek 8 mm	Åtdragningsmoment  110 Nm
Enhet per låda 2	EAN-kod 8020584492710

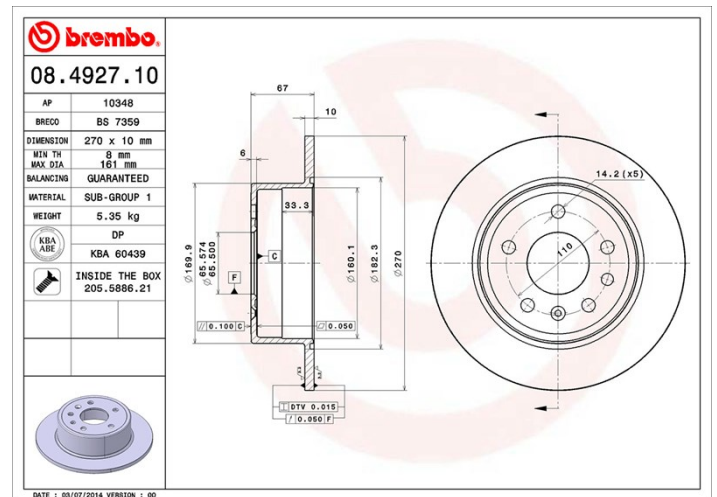


Märkeskoder

Brembo
08.4927.10

AP
10348

Breco
BS 7359



Tekniska specifikationer

Bromsskiva med fästskruvar

Genom att skicka med fästskruven i bromsskivans förpackning, ger Brembo en extra hjälp för mekanikern om originalskraven skulle vara rostiga eller så slitna att dess återanvändning förhindras eller är svårartad.



Kompatibla fordon

OPEL

Modell	Typ	kW	År
OMEGA A (V87)	1.8 (F19, M19, N19)	85	09/86 03/94
OMEGA A (V87)	1.8 (F19, M19, N19)	65	09/87 03/94
OMEGA A (V87)	1.8 N (F19, M19, N19)	60	09/86 08/87
OMEGA A (V87)	1.8 N (F19, M19, N19)	63	11/86 09/88
OMEGA A (V87)	1.8 S (F19, M19, N19)	66	09/86 03/94
OMEGA A (V87)	2.0 (F19, M19, N19)	90	09/86 03/94
OMEGA A (V87)	2.0 (F19, M19, N19)	73	09/90 03/94

OMEGA A (V87)	2.0 (F19, M19, N19)	74	09/90 03/94
OMEGA A (V87)	2.0 i (F19, M19, N19)	85	09/86 03/94
OMEGA A (V87)	2.3 D (F19, M19, N19)	54	10/86 03/94
OMEGA A (V87)	2.3 TD (F19, M19, N19)	66	10/86 08/88
OMEGA A (V87)	2.3 TD Interc. (F19, M19, N19)	74	08/88 03/94
OMEGA A (V87)	2.4 i (F19, M19, N19)	92	09/88 03/94
OMEGA A (V87)	2.6 i (F19, M19, N19)	110	09/90 03/94
OMEGA A (V87)	3.0 (3000) (F19, M19, N19)	130	03/87 09/90
OMEGA A (V87)	3.0 (3000) (F19, M19, N19)	115	03/87 12/87
OMEGA A (V87)	3.0 (3000) Cat (F19, M19, N19)	130	03/88 03/94
OMEGA A (V87)	3.0 24V (3000) (F19, M19, N19)	147	09/89 03/94
OMEGA A (V87)	3.0 24V (3000) (F19, M19, N19)	150	09/89 03/94
OMEGA A (V87)	3.0 24V Evolution500 (F19, M19, N19)	169	03/91 07/92
OMEGA A Estate (V87)	1.8 (F35, M35)	85	09/86 03/94
OMEGA A Estate (V87)	1.8 (F35, M35)	65	09/87 03/94
OMEGA A Estate (V87)	1.8 N (F35, M35)	60	09/86 08/87
OMEGA A Estate (V87)	1.8 N (F35, M35)	63	11/86 09/88
OMEGA A Estate (V87)	1.8 S (F35, M35)	66	09/86 03/94
OMEGA A Estate (V87)	2.0 (F35, M35)	90	09/86 03/94
OMEGA A Estate (V87)	2.0 (F35, M35)	85	09/87 04/94
OMEGA A Estate (V87)	2.0 (F35, M35)	74	09/90 03/94
OMEGA A Estate (V87)	2.0 i (F35, M35)	85	09/86 04/94
OMEGA A Estate (V87)	2.0 i (F35, M35)	73	09/90 03/94
OMEGA A Estate (V87)	2.3 D (F35, M35)	54	09/86 03/94
OMEGA A Estate (V87)	2.3 TD (F35, M35)	66	09/86 08/88
OMEGA A Estate (V87)	2.3 TD Interc. (F35, M35)	74	09/88 03/94
OMEGA A Estate (V87)	2.4 i (F35, M35)	92	09/88 03/94
OMEGA A Estate (V87)	2.6 (F35, M35)	135	09/87 04/94
OMEGA A Estate (V87)	2.6 i (F35, M35)	110	09/90 03/94
OMEGA A Estate (V87)	3.0 (F35, M35)	115	03/87 03/94
OMEGA A Estate (V87)	3.0 (F35, M35)	130	03/87 09/90

OMEGA A Estate (V87)	3.0 24V (F35, M35)	147	09/89 03/94
OMEGA A Estate (V87)	3.0 24V Omega 3000 (F35, M35)	150	09/88 04/94
OMEGA A Estate (V87)	3.0 Cat (F35, M35)	130	03/87 03/94
SENATOR B (V88)	2.5 i (P19)	103	09/90 09/93
SENATOR B (V88)	2.6 i (P19)	110	09/90 09/93
SENATOR B (V88)	3.0 (P19)	130	01/88 09/90
SENATOR B (V88)	3.0 (P19)	115	09/87 09/93
SENATOR B (V88)	3.0 24V (P19)	150	09/89 09/93
SENATOR B (V88)	3.0 i Cat (P19)	130	01/88 09/93

VAUXHALL

Modell	Typ	kW	År
CARLTON Mk III Estate (V87)	1.8	65	09/87 03/94
CARLTON Mk III Estate (V87)	1.8 i	85	09/86 03/94
CARLTON Mk III Estate (V87)	1.8 S	66	09/86 03/94
CARLTON Mk III Estate (V87)	2.0	85	09/86 03/94
CARLTON Mk III Estate (V87)	2.0 i	90	09/86 03/94
CARLTON Mk III Estate (V87)	2.2 TD	66	09/86 08/88
CARLTON Mk III Estate (V87)	2.3 D	54	09/86 03/94
CARLTON Mk III Estate (V87)	2.3 TD Interc.	74	09/88 03/94
CARLTON Mk III Estate (V87)	2.6 i	110	09/90 03/94
CARLTON Mk III Estate (V87)	3.0	130	03/87 03/94
CARLTON Mk III Estate (V87)	3.0 24V	147	09/89 03/94
CARLTON Mk III Saloon (V87)	1.8	65	09/87 03/94
CARLTON Mk III Saloon (V87)	1.8 i	85	09/86 03/94
CARLTON Mk III Saloon (V87)	1.8 S	66	09/86 03/94
CARLTON Mk III Saloon (V87)	2.0	85	09/86 03/94
CARLTON Mk III Saloon (V87)	2.0	74	09/90 03/94
CARLTON Mk III Saloon (V87)	2.0 i	90	09/86 03/94
CARLTON Mk III Saloon (V87)	2.2 TD	66	10/86 08/88
CARLTON Mk III Saloon (V87)	2.3 D	54	09/86 03/94
CARLTON Mk III Saloon (V87)	2.3 TD Interc.	74	08/88 03/94
CARLTON Mk III Saloon (V87)	2.6 i	110	09/90 03/94

CARLTON Mk III Saloon (V87)	3.0 3000	130	03/87 09/90
CARLTON Mk III Saloon (V87)	3.0 3000 24V	150	09/89 03/94
CARLTON Mk III Saloon (V87)	3000 24V	147	09/89 03/94
CARLTON Mk III Saloon (V87)	3000 Cat	130	03/88 03/94
SENATOR Mk II (B) (V88)	2.5 i	103	09/87 10/90
SENATOR Mk II (B) (V88)	2.6 i	110	09/90 09/93
SENATOR Mk II (B) (V88)	3.0	130	01/88 09/90
SENATOR Mk II (B) (V88)	3.0	135	09/87 08/88
SENATOR Mk II (B) (V88)	3.0 24V	150	09/89 09/93
SENATOR Mk II (B) (V88)	3.0 i Cat	130	01/88 09/93

OE-nummer

Kompatibla OE-nummer

OPEL	569101
VAUXHALL	569101
VAUXHALL	90272328