

Tekniska data för bromsskivan

Axel Bak	Diameter 252,5 mm
Total höjd (A) 33 mm	Centreringsdiameter (B) 63,6 mm
Antal hål (C) 5	Tjocklek (TH) 10 mm
Min. tjocklek 8,9 mm	Åtdragningsmoment  100 Nm
Enhet per låda 2	EAN-kod 8020584493113

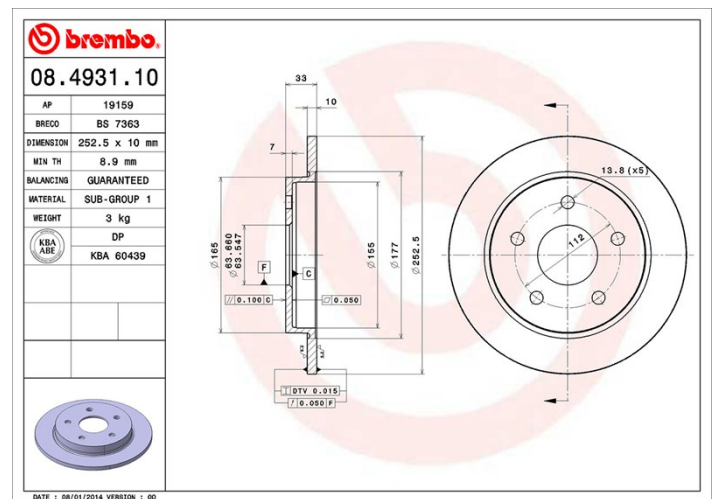


Märkeskoder

Brembo
08.4931.10

AP
19159

Breco
BS 7363



Tekniska specifikationer

Kompatibla fordon

FORD

Modell	Typ	kW	År
SCORPIO I (GAE, GGE)	1.8	66	04/85 02/92
SCORPIO I (GAE, GGE)	2.0	77	04/85 08/89
SCORPIO I (GAE, GGE)	2.0	80	11/88 10/92
SCORPIO I (GAE, GGE)	2.0 i	85	02/92 09/94
SCORPIO I (GAE, GGE)	2.0 i	85	04/85 02/92
SCORPIO I (GAE, GGE)	2.0 i	88	05/89 09/94
SCORPIO I (GAE, GGE)	2.0 i	74	10/85 12/90
SCORPIO I (GAE, GGE)	2.4 i	96	09/86 09/88
SCORPIO I (GAE, GGE)	2.4 i	92	10/88 02/92

SCORPIO I (GAE, GGE)	2.4 i Cat	92	10/88 09/94
SCORPIO I (GAE, GGE)	2.5 D	51	12/85 02/92
SCORPIO I (GAE, GGE)	2.5 TD	68	06/88 07/93
SCORPIO I (GAE, GGE)	2.5 TD	85	08/93 09/94
SCORPIO I (GAE, GGE)	2.8 i	110	04/85 11/86
SCORPIO I (GAE, GGE)	2.8 i 4x4	110	10/85 11/86
SCORPIO I (GAE, GGE)	2.9 i	107	09/86 09/94
SCORPIO I (GAE, GGE)	2.9 i	110	09/86 09/94
SCORPIO I (GAE, GGE)	2.9 i 4x4	107	05/88 02/93
SCORPIO I (GAE, GGE)	2.9 i 4x4	110	09/86 09/94
SCORPIO I (GAE, GGE)	2.9 i Cat	107	10/87 09/94
SCORPIO I Saloon (GGE)	1.8	66	01/86 10/88
SCORPIO I Saloon (GGE)	1.9	85	11/92 09/93
SCORPIO I Saloon (GGE)	2.0	77	03/90 08/92
SCORPIO I Saloon (GGE)	2.0	80	06/89 03/93
SCORPIO I Saloon (GGE)	2.0 i	85	02/92 09/94
SCORPIO I Saloon (GGE)	2.0 i	92	05/89 02/92
SCORPIO I Saloon (GGE)	2.0 i	88	05/89 09/94
SCORPIO I Saloon (GGE)	2.4 i	92	10/88 10/94
SCORPIO I Saloon (GGE)	2.5 D	51	12/89 12/94
SCORPIO I Saloon (GGE)	2.5 TD	68	06/88 07/93
SCORPIO I Saloon (GGE)	2.5 TD	85	08/93 09/94
SCORPIO I Saloon (GGE)	2.9 i	107	09/86 12/94
SCORPIO I Saloon (GGE)	2.9 i 4x4	107	12/89 10/94

OE-nummer

Kompatibla OE-nummer

FORD	1630012
FORD	1652547
FORD	5022669
FORD	5022949
FORD	5027464

FORD

6158215

FORD

6442332
