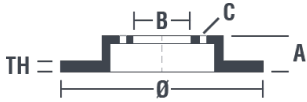


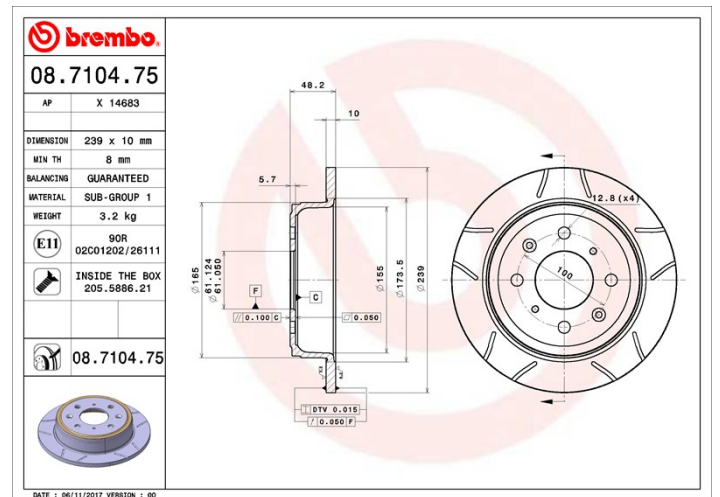
Tekniska data för bromsskivan

Axel Bak	Diameter 239 mm
Total höjd (A) 48,1 mm	Centreringsdiameter (B) 61 mm
Antal hål (C) 4	Tjocklek (TH) 10 mm
Min. tjocklek 8 mm	Åtdragningsmoment  108 Nm
Enhet per låda 2	EAN-kod 8020584710470



Märkeskoder

Brembo 08.7104.75	AP X 14683
-----------------------------	----------------------



Tekniska specifikationer

UV-skiva

UV-beläggningstekniken som har utvecklats i samarbete med bitillverkare, garanterar en överlägsen beständighet mot korrosion och ett komplett skydd av bromsskivan.



Kompatibla fordon

EUROPESTAR

Modell	Typ	kW	År
RCR Coupe	1.6	82	04/08 12/12
RCR Saloon	1.6	82	04/08 12/12

HONDA

Modell	Typ	kW	År
ACCORD III (CA)	2.0 EX (CA5)	78	11/85 05/89
ACCORD III (CA)	2.0 EX (CA5)	75	11/85 12/89
ACCORD III (CA)	2.0 EX (CA5)	76	11/85 12/89

ACCORD III (CA)	2.0 EXi (CA5)	85	01/86 12/89
ACCORD III (CA)	2.0 EXi (CA5)	90	11/85 12/87
ACCORD III (CA)	2.0 i 16V (CA5)	101	01/87 12/87
ACCORD III (CA)	2.0 i 16V (CA5)	98	10/87 12/89
ACCORD III Aerodeck (CA)	2.0	101	01/86 12/86
ACCORD III Aerodeck (CA)	2.0 EX	75	10/87 12/89
ACCORD III Aerodeck (CA)	2.0 EX (CA5)	76	10/87 12/89
ACCORD III Aerodeck (CA)	2.0 EX (CA5)	78	11/85 05/89
ACCORD III Aerodeck (CA)	2.0 EXi (CA5)	85	10/87 12/89
ACCORD III Aerodeck (CA)	2.0 EXi (CA5)	90	11/85 12/87
CIVIC IV Hatchback (EC, ED, EE)	1.6 i 16V	91	01/88 12/91
CIVIC IV Hatchback (EC, ED, EE)	1.6 i 16V	96	09/87 09/91
CIVIC IV Hatchback (EC, ED, EE)	1.6 i 16V (ED7)	80	10/87 09/91
CIVIC IV Hatchback (EC, ED, EE)	1.6 i 16V (ED7)	81	10/87 09/91
CIVIC IV Hatchback (EC, ED, EE)	1.6 i 16V Vtec (EE9)	110	10/89 09/91
CIVIC IV Saloon (ED)	1.6 i 16V	96	09/87 09/91
CIVIC IV Saloon (ED)	1.6 i 16V (ED4)	81	10/87 09/91
CIVIC IV Saloon (ED)	1.6 i 16V (ED4)	80	11/87 09/91
CIVIC IV Saloon (ED)	1.6 i 16V 4x4	81	01/89 12/91
CIVIC IV Saloon (ED)	1.6 i 16V 4x4	80	10/89 09/91
CIVIC VI Aerodeck (MB, MC)	1.4 16V (MB8)	55	04/98 02/01
CIVIC VI Aerodeck (MB, MC)	1.4 16V (MB8)	66	04/98 02/01
CIVIC VI Aerodeck (MB, MC)	1.5 16V (MB9)	84	04/98 02/01
CIVIC VI Aerodeck (MB, MC)	1.6 16V (MC1)	85	04/98 02/01
CIVIC VI Aerodeck (MB, MC)	1.6 16V (MC1)	92	04/98 02/01
CIVIC VI Aerodeck (MB, MC)	2.0 i D (MC3)	77	04/98 02/01
CIVIC VI Fastback (MA, MB)	1.4 i (MA8, MB2)	66	06/95 02/01
CIVIC VI Fastback (MA, MB)	1.4 i (MA8, MB2)	55	09/95 02/01
CIVIC VI Fastback (MA, MB)	1.5 16V (MB3)	84	01/97 02/01
CIVIC VI Fastback (MA, MB)	1.5 i Vtec-E (MA9)	66	09/94 01/97
CIVIC VI Fastback (MA, MB)	1.6 16V (MB4)	85	01/97 02/01

CIVIC VI Fastback (MA, MB)	1.6 i (MB1)	83	09/94 01/97
CIVIC VI Fastback (MA, MB)	1.6 i Vtec (MB1)	93	09/94 01/97
CIVIC VI Fastback (MA, MB)	1.6 VTi	118	01/97 02/01
CIVIC VI Fastback (MA, MB)	2.0 i TD (MB7)	63	01/97 02/01
CIVIC VI Fastback (MA, MB)	2.0 TDiC (MB7)	74	11/98 10/00
CIVIC VI Fastback (MA, MB)	2.0 TDiC (MB7)	77	11/98 10/00
CIVIC VI Hatchback (EJ, EK)	1.4 LPG	66	01/97 02/01
CIVIC VI Hatchback (EJ, EK)	1.5	66	11/95 12/96
CIVIC VI Hatchback (EJ, EK)	2.0 TDiC	77	11/98 10/00
CONCERTO (HW, MA)	1.6	96	10/89 10/92
CONCERTO (HW, MA)	1.6 16V	78	08/89 03/95
CONCERTO (HW, MA)	1.6 i 16V	82	08/89 03/95
CONCERTO (HW, MA)	1.6 i 16V	90	08/89 03/95
CONCERTO Saloon (HWW)	1.6	96	10/89 10/92
CONCERTO Saloon (HWW)	1.6 16V	78	08/89 03/95
CONCERTO Saloon (HWW)	1.6 i 16V	82	08/89 03/95
CONCERTO Saloon (HWW)	1.6 i 16V	90	08/89 03/95
CRX II (ED, EE)	1.6 i 16V	79	10/87 12/91
CRX II (ED, EE)	1.6 i 16V (ED9)	91	10/87 02/92
CRX II (ED, EE)	1.6 i 16V (ED9)	96	10/87 12/89
CRX II (ED, EE)	1.6 i 16V Vtec (EE8)	110	10/89 02/92
PRELUDE III (BA)	2.0 (BA4)	84	08/87 01/92
PRELUDE III (BA)	2.0 EX (BA4)	80	04/87 01/92
PRELUDE III (BA)	2.0 i EX 16V (BA4)	103	10/87 01/92
PRELUDE III (BA)	2.0 i EX 16V Cat (BA4)	101	04/87 01/92

OE-nummer

Kompatibla OE-nummer

ACURA	42510SH3G00
HONDA	42510SE0000
HONDA	42510SE0010
HONDA	42510SH3G00

HONDA

42510SK3305

HONDA

42510SK3E00
