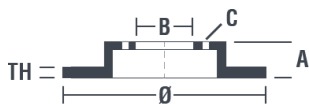


## Tekniska data för bromsskivan

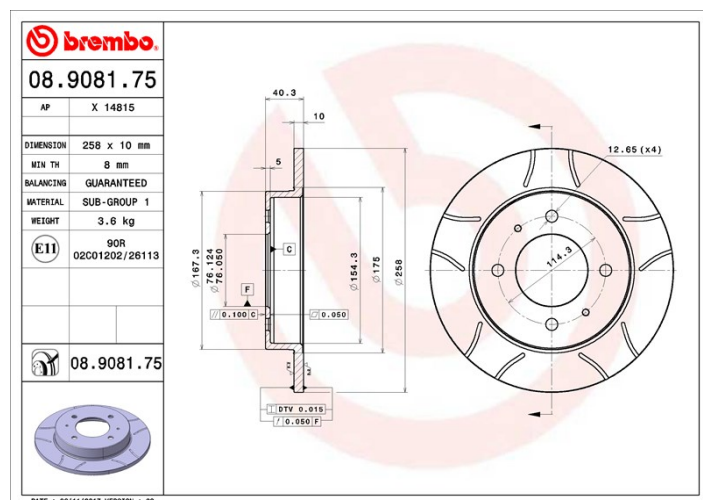
<b>Axel</b> Bak	<b>Diameter</b> 258 mm
<b>Total höjd</b> (A) 40,3 mm	<b>Centreringsdiameter</b> (B) 76 mm
<b>Antal hål</b> (C) 4	<b>Tjocklek</b> (TH) 10 mm
<b>Min. tjocklek</b> 8 mm	<b>Atdragningsmoment</b>  100 Nm
<b>Enhet per låda</b> 2	<b>EAN-kod</b> 8020584029701



## Märkeskoder

**Brembo**  
08.9081.75

**AP**  
X 14815



## Tekniska specifikationer

### UV-skiva

UV-beläggningstekniken som har utvecklats i samarbete med biltillverkare, garanterar en överlägsen beständighet mot korrosion och ett **komplett skydd** av bromsskivan.



## Kompatibla fordon

### HYUNDAI

Modell	Typ	kW	År
COUPE (RD)	1.6 16V	85	03/98 04/02
COUPE (RD)	1.6 i 16V	79	08/00 01/02
COUPE (RD)	1.6 i 16V	84	12/96 04/02
COUPE (RD)	1.8 SX	94	07/96 04/02
COUPE (RD)	2.0	101	08/99 01/02
COUPE (RD)	2.0 16V	99	03/01 04/02
COUPE (RD)	2.0 16V	102	08/96 04/02
COUPE (RD)	F2 Evolution	115	01/99 12/01

ELANTRA (XD)	1.6	77	05/03 07/06
ELANTRA (XD)	1.6	66	06/00 07/06
ELANTRA (XD)	1.6	79	06/00 07/06
ELANTRA (XD)	1.6	82	09/03 07/06
ELANTRA (XD)	1.8	79	06/00 07/03
ELANTRA (XD)	1.8	97	06/00 07/06
ELANTRA (XD)	1.8	98	11/02 07/06
ELANTRA (XD)	2.0	102	06/00 07/06
ELANTRA (XD)	2.0	104	06/00 07/06
ELANTRA (XD)	2.0	105	10/03 07/06
ELANTRA (XD)	2.0 CRDi	83	04/01 07/06
ELANTRA Saloon (XD)	1.6	77	05/03 05/06
ELANTRA Saloon (XD)	1.6	66	06/00 07/06
ELANTRA Saloon (XD)	1.6	79	06/00 07/06
ELANTRA Saloon (XD)	1.8	79	06/00 07/03
ELANTRA Saloon (XD)	1.8	97	06/00 07/06
ELANTRA Saloon (XD)	2.0	102	06/00 07/06
ELANTRA Saloon (XD)	2.0	104	06/00 07/06
ELANTRA Saloon (XD)	2.0	105	10/03 07/06
ELANTRA Saloon (XD)	2.0 CRDi	83	04/01 07/06
LANTRA I (J-1)	1.5 i.e.	63	10/90 11/95
LANTRA I (J-1)	1.6 i.e. 16V	78	10/90 11/95
LANTRA I (J-1)	1.6 i.e. 16V	84	10/90 11/95
LANTRA I (J-1)	1.8 i.e. 16V	93	10/90 11/95
LANTRA II (J-2)	1.5 12V	65	12/96 09/00
LANTRA II (J-2)	1.6 16V	84	11/95 09/00
LANTRA II (J-2)	1.6 i	66	11/95 09/00
LANTRA II (J-2)	1.8 16V	94	11/95 09/00
LANTRA II (J-2)	1.9 D	50	03/98 09/00
LANTRA II (J-2)	2.0	100	04/97 05/00
LANTRA II (J-2)	2.0 16V	102	08/96 09/00
LANTRA II Estate (J-2)	1.5 12V	65	04/97 10/00
LANTRA II Estate (J-2)	1.6 16V	84	02/96 10/00
LANTRA II Estate (J-2)	1.6 i	66	02/96 10/00

LANTRA II Estate (J-2)	1.8 16V	94	02/96 10/00
LANTRA II Estate (J-2)	1.9 D	50	03/98 10/00
LANTRA II Estate (J-2)	2.0	100	04/97 05/00
LANTRA II Estate (J-2)	2.0 16V	102	11/95 10/00

### HYUNDAI (BEIJING)

Modell	Typ	kW	År
ELANTRA Hatchback	1.6	81	12/03 12/10
ELANTRA Saloon	1.6	82	12/03 12/14
ELANTRA Saloon	1.6 CNG	76	10/10 12/14
ELANTRA Saloon	1.6 CNG	82	12/08 12/14
ELANTRA Saloon	1.6 LPG	82	03/08 -
ELANTRA Saloon	1.8	96	12/03 12/08

### OE-nummer

#### Kompatibla OE-nummer

HYUNDAI	5841129300
HYUNDAI	5841129310