

Tekniska data för bromsskivan

Axel Bak	Diameter 269 mm
Total höjd (A) 55,7 mm	Centreringsdiameter (B) 55 mm
Antal hål (C) 4	Tjocklek (TH) 9 mm
Min. tjocklek 7,5 mm	Åtdragningsmoment  103 Nm
Enhet per låda 2	EAN-kod 8020584015865

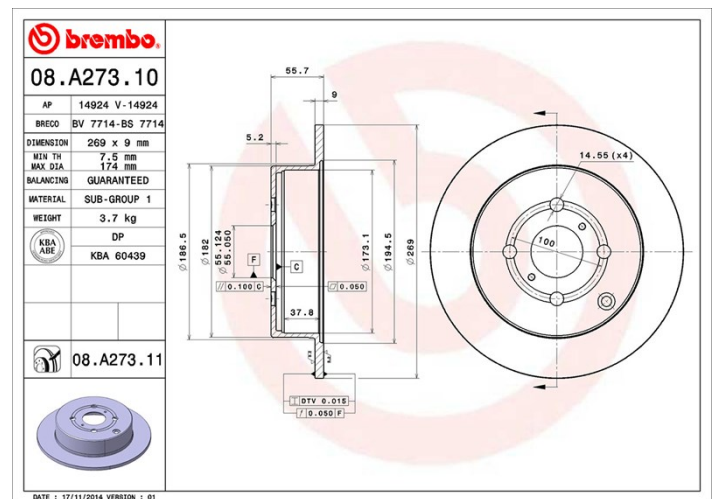


Märkeskoder

Brembo
08.A273.10

AP
14924

Breco
BS 7714



Tekniska specifikationer

Kompatibla fordon

BYD

Modell	Typ	kW	År
F3 Saloon	1.5	80	01/11 -
F3 Saloon	1.5	78	09/07 12/12
F3 Saloon	1.5	79	09/08 12/12
F3 Saloon	1.5 CNG	80	01/11 12/15
F3 Saloon	1.5 TI	113	08/12 12/15
F3 Saloon	1.6	74	09/05 12/13
F3 Saloon	1.6 CNG	74	09/05 12/13
F3 Saloon	1.8	90	05/07 12/08
F3 Saloon	DM 1.0	50	01/09 -

F3R Hatchback	1.5	78	04/07 08/09
F3R Hatchback	1.6	74	09/07 -
G3 Saloon	1.5	80	09/11 12/15
G3 Saloon	1.5	78	10/09 10/10
G3 Saloon	1.5	79	10/10 12/12
G3 Saloon	1.8	90	10/09 -
G3R Hatchback	1.5	80	04/11 12/14
G3R Hatchback	1.8	90	04/11 -
L3	1.5	80	10/10 -
L3	1.5	79	12/10 12/12
L3	1.8	90	08/10 12/15
YUAN	1.5	80	04/16 -
YUAN	1.5 TI	113	04/16 -
YUAN	Hybrid All-wheel Drive	80	04/16 -

ENGLON

Modell	Typ	kW	År
SC7	1.5	78	11/10 12/14
SC7	1.5	80	11/10 12/17
SC7	1.8	98	09/12 -
SC7	1.8	102	11/10 12/14
TX4	2.4	95	04/12 -
TX4	2.4	112	07/09 12/14
TX4	2.5 D	75	01/08 12/14

FENGXING

Modell	Typ	kW	År
JOYEAR MPV	1.5	88	01/10 -
JOYEAR MPV	1.6	90	11/07 -

GEELY

Modell	Typ	kW	År
VISION	1.5	78	05/09 -
VISION	1.5	102	05/09 12/13
VISION	1.8	102	08/06 12/12

VISION	1.8	101	12/05 -
GLEAGLE			
Modell	Typ	kW	År
GC7	1.5	80	05/13 -
GC7	1.5	78	12/11 -
GC7	1.8	98	12/11 -
GC7	1.8	98	12/11 01/13
GC7	1.8	102	12/11 12/13
VISION	1.5	80	09/11 11/14
VISION	1.8	78	01/14 -
VISION	1.8	102	05/07 10/11
VISION	1.8	98	05/12 04/13
LIFAN			
Modell	Typ	kW	År
620 Saloon	1.5	69	11/09 -
620 Saloon	1.5 CNG	69	01/11 -
620 Saloon	1.6	78	06/08 -
620 Saloon	1.6	85	11/08 12/10
620 Saloon	1.6 CNG	78	06/08 12/12
620 Saloon	1.8	92	06/08 -
620 Saloon	EV	30	01/15 12/15
TOYOTA			
Modell	Typ	kW	År
COROLLA (_E12_)	1.4 VVT-i (ZZE120_)	71	11/01 02/07
COROLLA (_E12_)	1.6 VVT-i (ZZE121_)	81	01/02 12/06
COROLLA (_E12_)	2.0 D-4D (CDE120_)	66	01/02 12/06
COROLLA Estate (_E12_)	1.4 VVT-i (ZZE120_)	71	01/02 02/07
COROLLA Estate (_E12_)	1.6 VVT-i (ZZE121_)	81	01/02 08/07
COROLLA Estate (_E12_)	2.0 D-4D (CDE120_)	66	01/02 02/07
COROLLA Estate (_E12_)	2.0 D-4D (CDE120_)	85	04/04 02/07
COROLLA Verso (_E12_)	1.6 VVT-i (ZZE121_)	81	08/01 05/04
COROLLA Verso (_E12_)	1.8 VVT-i (ZZE122_)	99	12/01 05/04

COROLLA Verso (_E12_)	2.0 D-4D (CDE120_)	66	01/02 05/04
PRIUS Saloon (_W1_)	1.5 Hybrid (NHW1_)	53	05/00 01/04
YARIS (_P1_)	1.0 (SCP10_)	48	03/03 09/05
YARIS (_P1_)	1.0 (SCP10_)	50	04/99 09/05
YARIS (_P1_)	1.3 (NCP10_, SCP12_)	63	11/99 10/05
YARIS (_P1_)	1.3 (SCP12_, NCP10_, SCP13_)	64	04/02 09/05
YARIS (_P1_)	1.4 D-4D (NLP10_)	55	10/01 09/05
YARIS (_P1_)	1.5 (NCP13_)	77	01/03 11/05
YARIS (_P1_)	1.5 (NCP13_)	110	03/00 07/05
YARIS (_P1_)	1.5 (NCP13_)	78	04/01 09/05
YARIS VERSO (_P2_)	1.3 (NCP20_, NCP22_)	63	08/99 10/02
YARIS VERSO (_P2_)	1.3 (NCP20_, NCP22_)	62	11/02 09/05
YARIS VERSO (_P2_)	1.4 D-4D (NLP20_, NLP22_)	55	09/00 09/05
YARIS VERSO (_P2_)	1.5 (NCP21_)	77	03/00 09/05
YARIS VERSO (_P2_)	1.5 (NCP21_)	78	03/00 09/05
YARIS VERSO (_P2_)	1.5 4WD (NCP21_)	78	03/00 09/05

TOYOTA (FAW)

Modell	Typ	kW	År
COROLLA (E122)	1.8	93	02/04 01/07
COROLLA (E122)	1.8	100	02/04 01/07

OE-nummer

Kompatibla OE-nummer

TOYOTA	424310D050
TOYOTA	4243112250
TOYOTA	4243152050