

Tekniska data för bromsskivan

Axel Bak	Diameter 280 mm
Total höjd (A) 56 mm	Centreringsdiameter (B) 55 mm
Antal hål (C) 5	Tjocklek (TH) 10 mm
Min. tjocklek 9 mm	Åtdragningsmoment  103 Nm
Enhet per låda 2	EAN-kod 8020584028674

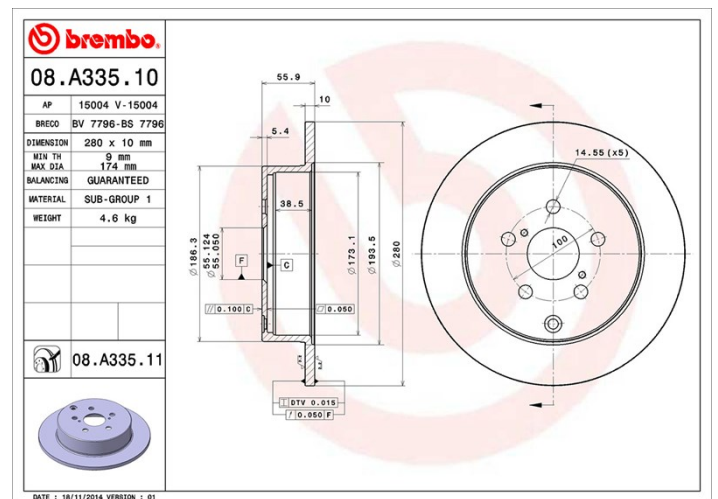


Märkeskoder

Brembo
08.A335.10

AP
15004

Breco
BS 7796



Tekniska specifikationer

Kompatibla fordon

TOYOTA

Modell	Typ	kW	År
AVENSIS (T25_)	1.6 VVT-i (ZZT250_)	81	04/03 11/08
AVENSIS (T25_)	1.8 (ZZT251_)	95	03/03 10/08
AVENSIS (T25_)	2.0 (AZT250_)	108	03/03 11/08
AVENSIS (T25_)	2.0 D-4D (ADT250_)	93	03/06 11/08
AVENSIS (T25_)	2.0 D-4D (CDT250_)	85	04/03 11/08
AVENSIS (T25_)	2.4 (AZT251_)	125	09/03 11/08
AVENSIS (T25_)	2.4 (AZT251_)	120	10/03 10/08
AVENSIS Estate (T25_)	1.6 VVT-i (ZZT250_)	81	04/03 11/08
AVENSIS Estate (T25_)	1.8 (ZZT251_)	95	04/03 11/08

AVENSIS Estate (_T25_)	2.0 (AZT250_)	108	04/03 11/08
AVENSIS Estate (_T25_)	2.0 D-4D (ADT250_)	93	03/06 11/08
AVENSIS Estate (_T25_)	2.0 D-4D (CDT250_)	85	04/03 11/08
AVENSIS Estate (_T25_)	2.0 VVTi (AZT250_)	114	04/03 11/08
AVENSIS Estate (_T25_)	2.4 (AZT251_)	125	09/03 11/08
AVENSIS Estate (_T25_)	2.4 (AZT251_)	120	10/03 10/08
AVENSIS Saloon (_T25_)	1.6 VVT-i (ZZT250_)	81	04/03 11/08
AVENSIS Saloon (_T25_)	1.8 (ZZT251_)	95	04/03 11/08
AVENSIS Saloon (_T25_)	2.0 (AZT250_)	108	04/03 11/08
AVENSIS Saloon (_T25_)	2.0 D-4D (ADT250_)	93	03/06 10/08
AVENSIS Saloon (_T25_)	2.0 D-4D (CDT250_)	85	04/03 11/08
AVENSIS Saloon (_T25_)	2.0 VVTi (AZT250_)	114	04/03 11/08
AVENSIS Saloon (_T25_)	2.4 (AZT251_)	125	09/03 11/08
AVENSIS Saloon (_T25_)	2.4 (AZT251_)	120	10/03 10/08

OE-nummer

Kompatibla OE-nummer

TOYOTA	4243105030
TOYOTA	4243105060
TOYOTA	42431YZZAA