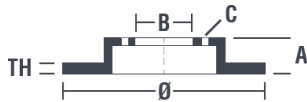


Tekniska data för bromsskivan

Axel Bak	Diameter 281 mm
Total höjd (A) 55 mm	Centreringsdiameter (B) 62 mm
Antal hål (C) 5	Tjocklek (TH) 12 mm
Min. tjocklek 10,5 mm	Åtdragningsmoment  103 Nm
Enhet per låda 2	EAN-kod 8020584020623



Enhet per låda
2

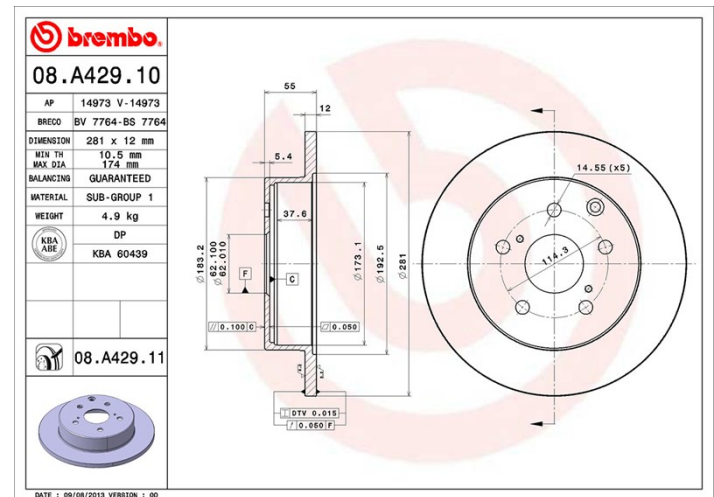


Märkeskoder

Brembo
08.A429.10

AP
14973

Breco
BS 7764



Tekniska specifikationer

Kompatibla fordon

LEXUS

Modell	Typ	kW	År
HS (ANF10)	250h (ANF10)	110	07/09 01/18

TOYOTA

Modell	Typ	kW	År
RAV 4 III (_A3_)	2.0 (ZSA35)	109	03/09 06/13
RAV 4 III (_A3_)	2.0 (ZSA35_)	116	12/08 06/13
RAV 4 III (_A3_)	2.0 4WD (ACA30_)	112	02/06 06/13
RAV 4 III (_A3_)	2.0 4WD (ZSA30)	109	03/09 06/13
RAV 4 III (_A3_)	2.0 4WD (ZSA30_)	116	12/08 06/13
RAV 4 III (_A3_)	2.2 D (ALA35_)	110	12/08 06/13

RAV 4 III (_A3_)	2.2 D 4WD (ALA30_)	130	02/06 06/13
RAV 4 III (_A3_)	2.2 D 4WD (ALA30_)	100	02/06 12/12
RAV 4 III (_A3_)	2.2 D 4WD (ALA30_)	110	12/08 06/13
RAV 4 III (_A3_)	2.4 (ACA33, ACA36, ACA38)	125	11/05 12/13
RAV 4 III (_A3_)	2.4 4WD (ACA31, ACA33)	125	11/05 06/13
RAV 4 III (_A3_)	3.5 4WD (GSA33)	201	11/05 12/12
RAV 4 IV (_A4_)	2.0 (ZSA42)	107	12/12 -
RAV 4 IV (_A4_)	2.0 4WD (ZSA44_)	112	04/15 -
RAV 4 IV (_A4_)	2.0 4WD (ZSA44_)	111	12/12 -
RAV 4 IV (_A4_)	2.0 D (ALA40_)	91	12/12 -
RAV 4 IV (_A4_)	2.0 D (VWA42_)	105	10/15 -
RAV 4 IV (_A4_)	2.0 D 4WD (ALA41_)	91	01/13 -
RAV 4 IV (_A4_)	2.2 D 4WD (ALA49)	110	12/12 -
RAV 4 IV (_A4_)	2.5 (ASA42)	132	12/12 -
RAV 4 IV (_A4_)	2.5 4WD (ASA44)	132	12/12 -
RAV 4 IV (_A4_)	2.5 Hybrid (AVA42_, AVA44_)	114	10/15 -
RAV 4 IV (_A4_)	2.5 Hybrid 4WD (AVA44_)	114	10/15 -

TOYOTA (FAW)

Modell	Typ	kW	År
RAV4 (A40)	2.0 (ZSA42, ZSA44)	111	07/16 -
RAV4 (A40)	2.0 (ZSA42, ZSA44)	108	08/13 -
RAV4 (A40)	2.0 4x4 (ZSA42, ZSA44)	111	07/16 -
RAV4 (A40)	2.0 4x4 (ZSA42, ZSA44)	108	08/13 -
RAV4 (A40)	2.5 4x4 (ASA44)	132	08/13 -
RAV4 Closed Off-Road Vehicle (A30)	2.0 (ACA32, ACA37)	110	04/09 08/13
RAV4 Closed Off-Road Vehicle (A30)	2.0 4x4 (ACA32, ACA37)	110	04/09 08/13
RAV4 Closed Off-Road Vehicle (A30)	2.4 4x4 (ACA33)	125	04/09 08/13

OE-nummer

Kompatibla OE-nummer

LEXUS	424310R010
LEXUS	4243142060

TOYOTA

424310R010

TOYOTA

4243142060
