

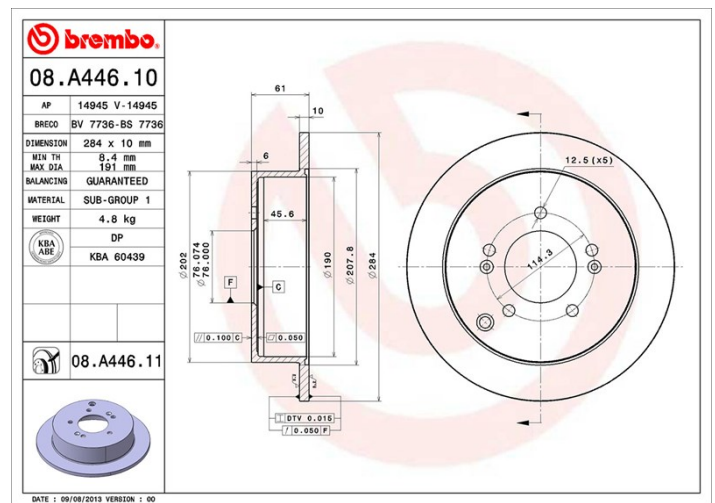
## Tekniska data för bromsskivan

<b>Axel</b> Bak	<b>Diameter</b> 284 mm
<b>Total höjd</b> (A) 61 mm	<b>Centreringsdiameter</b> (B) 76 mm
<b>Antal hål</b> (C) 5	<b>Tjocklek</b> (TH) 10 mm
<b>Min. tjocklek</b> 8,4 mm	<b>Åtdragningsmoment</b>  100 Nm
<b>Enhet per låda</b> 2	<b>EAN-kod</b> 8020584017906



## Märkeskoder

<b>Brembo</b> 08.A446.10	<b>AP</b> 14945	<b>Breco</b> BS 7736
-----------------------------	--------------------	-------------------------



## Tekniska specifikationer

### Kompatibla fordon

#### DONGNAN (SOUEAST)

Modell	Typ	kW	År
DX7 Closed Off-Road Vehicle	1.5 T	115	07/15 -
DX7 Closed Off-Road Vehicle	2.0 T	143	07/15 -

#### HAWTAI

Modell	Typ	kW	År
BOLIGER	1.8 T	118	12/11 -
BOLIGER	1.8 T All-wheel Drive	118	04/13 -
BOLIGER	2.0 TD	110	12/11 -
BOLIGER	2.0 TD All-wheel Drive	110	12/11 -
E70 Saloon	2.0	100	02/13 -
E70 Saloon	2.0	108	02/13 -

E80 Saloon	1.5	103	08/16 -
E80 Saloon	1.5 D	68	01/16 -
SANTA FE C9	2.0	100	09/12 -
SANTA FE C9	2.0	93	12/11 12/13
<b>HYUNDAI</b>			
Modell	Typ	kW	År
HIGHWAY VAN	2.0 16V	100	03/00 03/04
HIGHWAY VAN	2.0 CRDi	83	03/01 03/04
HIGHWAY VAN	2.0 CVVT	104	11/03 03/04
HIGHWAY VAN	2.7 V6 24V	125	03/00 03/04
ix35 (LM, EL, ELH)	2.0 4WD	120	01/10 -
ix35 (LM, EL, ELH)	2.0 AWD	114	11/13 -
ix35 (LM, EL, ELH)	2.0 CRDi 4WD	100	01/10 -
ix35 (LM, EL, ELH)	2.0 CRDi 4WD	135	01/10 -
ix35 (LM, EL, ELH)	2.0 CVVT 4WD	122	08/09 -
ix35 (LM, EL, ELH)	2.0 CVVT AWD	110	08/09 -
ix35 (LM, EL, ELH)	2.0 GDi	122	08/13 -
ix35 (LM, EL, ELH)	2.0 GDi 4WD	122	08/13 -
ix35 (LM, EL, ELH)	2.4 DCVVT-I 4WD	128	07/10 12/13
SANTA FÉ I (SM)	2.0	99	08/01 03/06
SANTA FÉ I (SM)	2.0 CRDi	83	08/01 03/06
SANTA FÉ I (SM)	2.0 CRDi 4x4	83	04/01 03/06
SANTA FÉ I (SM)	2.0 CRDi 4x4	92	08/03 03/06
SANTA FÉ I (SM)	2.0 CRDi All-wheel Drive	107	11/03 02/06
SANTA FÉ I (SM)	2.4 16V	100	02/01 03/06
SANTA FÉ I (SM)	2.4 16V	107	02/01 03/06
SANTA FÉ I (SM)	2.4 16V 4x4	100	02/01 03/06
SANTA FÉ I (SM)	2.4 16V 4x4	107	02/01 03/06
SANTA FÉ I (SM)	2.7 4x4	129	09/02 12/04
SANTA FÉ I (SM)	2.7 4x4	132	11/00 03/06
SANTA FÉ I (SM)	2.7 V6 4x4	127	02/01 03/06
TRAJET (FO)	2.0	103	01/04 07/08
TRAJET (FO)	2.0	100	03/00 07/08
TRAJET (FO)	2.0	104	11/03 07/08

TRAJET (FO)	2.0 CRDi	83	04/01 07/08
TRAJET (FO)	2.0 CRDi	92	08/05 07/08
TRAJET (FO)	2.7 V6	127	09/00 07/08
TUCSON (JM)	2.0 All-wheel Drive	105	07/05 11/10
TUCSON (JM)	2.0 All-wheel Drive	104	08/04 03/10
TUCSON (JM)	2.0 CRDi All-wheel Drive	100	01/06 03/10
TUCSON (JM)	2.0 CRDi All-wheel Drive	103	01/06 03/10
TUCSON (JM)	2.0 CRDi All-wheel Drive	88	01/07 03/10
TUCSON (JM)	2.0 CRDi All-wheel Drive	110	01/09 03/10
TUCSON (JM)	2.0 CRDi All-wheel Drive	83	08/04 03/10
TUCSON (JM)	2.7 All-wheel Drive	129	08/04 -

### HYUNDAI (BEIJING)

Modell	Typ	kW	År
ix35	2.0 All-wheel Drive	120	04/10 12/12
ix35	2.0 All-wheel Drive	118	04/12 -
ix35	2.0 All-wheel Drive	121	04/12 12/17
ix35	2.4 All-wheel Drive	128	04/10 12/17
ix35	2.4 All-wheel Drive	125	04/12 -

### KIA

Modell	Typ	kW	År
SPORTAGE (JE_, KM_)	2.0 16V 4WD	104	09/04 -
SPORTAGE (JE_, KM_)	2.0 CRDi 4WD	100	01/06 -
SPORTAGE (JE_, KM_)	2.0 CRDi 4WD	103	01/06 -
SPORTAGE (JE_, KM_)	2.0 CRDi 4WD	83	09/04 -
SPORTAGE (JE_, KM_)	2.0 CRDi 4WD	110	09/08 -
SPORTAGE (JE_, KM_)	2.7 V6 4WD	129	09/04 -
SPORTAGE (SL)	2.0 CRDi AWD	100	07/10 -
SPORTAGE (SL)	2.0 CRDi AWD	135	08/10 -
SPORTAGE (SL)	2.0 GDI AWD	122	02/14 -

### KIA (DYK)

Modell	Typ	kW	År
SPORTAGE Closed Off-Road Vehicle	2.0	104	01/09 12/17
SPORTAGE Closed Off-Road Vehicle	2.0	101	11/07 12/17
SPORTAGE Closed Off-Road Vehicle	2.0 All-wheel Drive	104	10/07 12/17

**OE-nummer****Kompatibla OE-nummer**

HYUNDAI	584112Y300
---------	------------

HYUNDAI	584113A300
---------	------------

KIA	584112Y300
-----	------------

KIA	584113A300
-----	------------