

## Tekniska data för bromsskivan

**Axel** Bak

**Diameter**  
320 mm

**Total höjd (A)**  
66,3 mm

**Centreringsdiameter (B)**  
72 mm

**Antal hål (C)**  
5

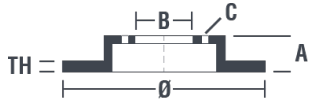
**Tjocklek (TH)**  
14 mm

**Min. tjocklek**  
12,5 mm

**Åtdragningsmoment**   
115 Nm

**Enhet per låda**  
2

**EAN-kod**  
8020584027950

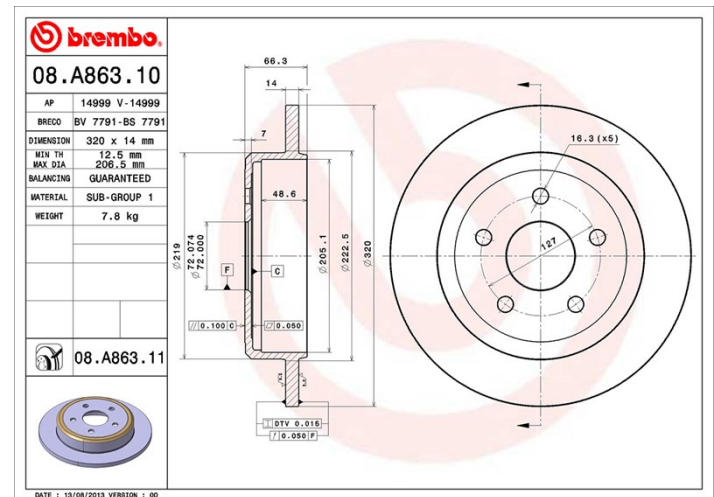


## Märkeskoder

**Brembo**  
08.A863.10

**AP**  
14999

**Breco**  
BS 7791



## Tekniska specifikationer

### Kompatibla fordon

#### JEEP

Modell	Typ	kW	År
COMMANDER (XK, XH)	3.0 CRD 4x4	160	04/06 12/10
COMMANDER (XK, XH)	3.7 V6 4x4	157	09/05 12/10
COMMANDER (XK, XH)	4.7 V8 4x4	170	09/05 12/10
COMMANDER (XK, XH)	5.7 V8 4x4	240	09/05 12/10
GRAND CHEROKEE III (WH, WK)	3.0 CRD	160	06/05 12/10
GRAND CHEROKEE III (WH, WK)	3.0 CRD 4x4	155	05/06 12/10
GRAND CHEROKEE III (WH, WK)	3.0 CRD 4x4	160	06/05 12/10
GRAND CHEROKEE III (WH, WK)	3.7 V6	157	10/04 12/10
GRAND CHEROKEE III (WH, WK)	3.7 V6 4x4	148	01/08 12/10

GRAND CHEROKEE III (WH, WK)	3.7 V6 4x4	157	10/04 12/10
GRAND CHEROKEE III (WH, WK)	4.7 V8 4x4	164	06/05 12/10
GRAND CHEROKEE III (WH, WK)	4.7 V8 4x4	170	06/05 12/10
GRAND CHEROKEE III (WH, WK)	4.7 V8 4x4	223	09/07 02/10
GRAND CHEROKEE III (WH, WK)	4.7 V8 4x4	167	10/07 05/10
GRAND CHEROKEE III (WH, WK)	5.7	240	06/05 12/08
GRAND CHEROKEE III (WH, WK)	5.7 V8 4x4	265	01/09 12/10
GRAND CHEROKEE III (WH, WK)	5.7 V8 4x4	259	01/09 12/10
GRAND CHEROKEE III (WH, WK)	5.7 V8 4x4	240	06/05 12/10

## OE-nummer

### Kompatibla OE-nummer

JEEP

52089275AB