

Tekniska data för bromsskivan

Axel Bak

Diameter
268 mm

Total höjd (A)
35 mm

Centreringsdiameter (B)
71 mm

Antal hål (C)
5

Tjocklek (TH)
12 mm

Min. tjocklek
10 mm

Åtdragningsmoment
Nm

Enhet per låda
2

EAN-kod
8020584217870

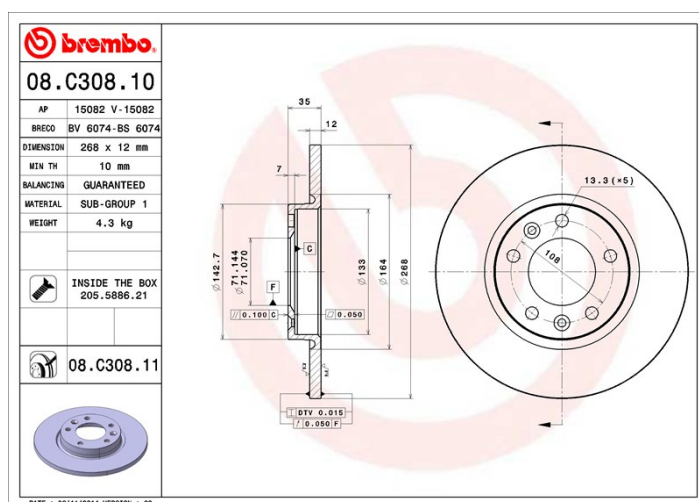


Märkeskoder

Brembo
08.C308.10

AP
15082

Breco
BS 6074



Tekniska specifikationer

Bromsskiva med fästskruvar

Genom att skicka med fästskruven i bromsskivans förpackning, ger Brembo en extra hjälp för mekanikern om originalskruven skulle vara rostig eller så sliten att dess återanvändning förhindras eller är svårartad.



Kompatibla fordon

CITROËN

Modell	Typ	kW	År
BERLINGO (B9)	1.2 PureTech 110	81	02/16 -
BERLINGO (K9)	1.2 PureTech 110	81	06/18 -
BERLINGO (K9)	1.5 BlueHDi 100	75	06/18 -
BERLINGO (K9)	1.5 BlueHDi 130 (ECYHZJ, ECYHZR)	96	06/18 -
BERLINGO (K9)	1.5 BlueHDi 75	56	06/18 -
C4 Grand Picasso II	1.2 THP 130	96	04/14 -
C4 Grand Picasso II	1.6 BlueHDi 100	73	01/15 -

C4 Grand Picasso II	1.6 BlueHDi 120	88	07/14 -
C4 Grand Picasso II	1.6 HDi / BlueHDi 115	85	09/13 -
C4 Grand Picasso II	1.6 HDi 90	68	09/13 -
C4 Grand Picasso II	1.6 THP 150	110	09/14 -
C4 Grand Picasso II	1.6 THP 155	115	09/13 -
C4 Grand Picasso II	1.6 THP 165	121	07/14 -
C4 Grand Picasso II	1.6 VTi 120	88	09/13 -
C4 Grand Picasso II	2.0 BlueHDi 135	100	09/13 -
C4 Grand Picasso II	2.0 BlueHDi 150	110	09/13 -
C4 Picasso II	1.2 THP 110	81	04/16 -
C4 Picasso II	1.2 THP 130	96	04/14 -
C4 Picasso II	1.6 BlueHDi 100	73	12/14 -
C4 Picasso II	1.6 BlueHDi 120	88	07/14 -
C4 Picasso II	1.6 HDi / BlueHDi 115	85	02/13 -
C4 Picasso II	1.6 HDi 90	68	02/13 -
C4 Picasso II	1.6 THP 150	110	09/14 -
C4 Picasso II	1.6 THP 155	115	02/13 -
C4 Picasso II	1.6 THP 165	121	07/14 -
C4 Picasso II	1.6 VTi 120	88	02/13 -
C4 Picasso II	2.0 BlueHDi 135	100	09/13 -
C4 Picasso II	2.0 BlueHDi 150	110	09/13 -
C4 Picasso II	2.0 i 16V	105	06/13 12/14
C4 SPACETOURER (3D_)	1.2 PureTech 110	81	04/18 -
C4 SPACETOURER (3D_)	1.2 PureTech 130	96	04/18 -
C4 SPACETOURER (3D_)	1.5 BlueHDi 130	96	05/18 -
C4 SPACETOURER (3D_)	1.6 BlueHDi 100	73	04/18 -
C4 SPACETOURER (3D_)	1.6 BlueHDi 120	88	04/18 -
C4 SPACETOURER (3D_)	1.6 THP 165	121	04/18 -
C4 SPACETOURER (3D_)	2.0 BlueHDi 150	110	04/18 -
C4 SPACETOURER (3D_)	2.0 BlueHDi 160	120	04/18 -
GRAND C4 SPACETOURER (3A_, 3E_)	1.2 PureTech 130	96	04/18 -
GRAND C4 SPACETOURER (3A_, 3E_)	1.5 BlueHDi 130	96	05/18 -
GRAND C4 SPACETOURER (3A_, 3E_)	1.6 BlueHDi 100	73	04/18 -
GRAND C4 SPACETOURER (3A_, 3E_)	1.6 BlueHDi 120	88	04/18 -

GRAND C4 SPACETOURER (3A_, 3E_)	1.6 THP 165	121	04/18 -
GRAND C4 SPACETOURER (3A_, 3E_)	2.0 BlueHDi 150	110	04/18 -
GRAND C4 SPACETOURER (3A_, 3E_)	2.0 BlueHDi 160	120	04/18 -
OPEL			
Modell	Typ	kW	År
GRANDLAND X (A18)	1.2 (75)	96	06/17 -
GRANDLAND X (A18)	1.5 Turbo D (75)	96	04/18 -
GRANDLAND X (A18)	1.5 Turbo D (75)	75	06/18 -
GRANDLAND X (A18)	1.6 Turbo D (75)	88	06/17 -
GRANDLAND X (A18)	2.0 D (75)	130	11/17 -
PEUGEOT			
Modell	Typ	kW	År
3008 SUV (M_)	1.2 PureTech 130	96	05/16 -
3008 SUV (M_)	1.5 BlueHDi 130	96	02/18 -
3008 SUV (M_)	1.6 BlueHDi 100	73	11/16 -
3008 SUV (M_)	1.6 BlueHDi 115	85	11/16 -
3008 SUV (M_)	1.6 BlueHDi 120	88	05/16 -
3008 SUV (M_)	1.6 THP 165	121	05/16 -
3008 SUV (M_)	2.0 BlueHDi 136	100	11/16 -
3008 SUV (M_)	2.0 BlueHDi 150	110	05/16 -
3008 SUV (M_)	2.0 BlueHDi 180	130	01/18 -
3008 SUV (M_)	2.0 BlueHDi 180	133	05/16 -
308 Box Body / Hatchback (LB_)	1.6 BlueHDi 120 (LBBHZM)	88	03/15 -
308 Box Body / Hatchback (LB_)	1.6 e-HDi 115 (LB9HCG)	85	03/15 -
308 II	1.2 THP 110	81	11/13 -
308 II	1.2 THP 130	96	11/13 -
308 II	1.2 VTi 72	60	09/13 -
308 II	1.5 BlueHDI 100	75	05/18 -
308 II	1.5 BlueHDi 130	96	06/17 -
308 II	1.6	85	05/15 -
308 II	1.6	115	09/13 -
308 II	1.6 BlueHDi 120	88	11/13 -
308 II	1.6 GT 205	151	06/14 -
308 II	1.6 GTi	200	06/15 -

308 II	1.6 GTi	184	08/15 -
308 II	1.6 HDi	68	09/13 -
308 II	1.6 HDi / BlueHDi 115	85	09/13 -
308 II	1.6 HDi 100	73	04/14 -
308 II	1.6 THP	112	09/13 -
308 II	1.6 THP 125	92	09/13 -
308 II	1.6 THP 150	110	03/14 -
308 II	1.6 THP 163	120	06/14 -
308 II	2.0 BlueHDi 150	110	11/13 -
308 II	2.0 GT BlueHDi 180	130	06/17 -
308 II	2.0 GT HDi 180 / BlueHDi 180	133	06/14 -
308 SW II	1.2 THP 110	81	03/14 -
308 SW II	1.2 THP 130	96	03/14 -
308 SW II	1.5 BlueHDi 100	75	04/18 -
308 SW II	1.5 BlueHDi 130	96	06/17 -
308 SW II	1.6 BlueHDi 100	73	04/14 -
308 SW II	1.6 BlueHDi 120	88	03/14 -
308 SW II	1.6 GT 205	151	06/14 -
308 SW II	1.6 HDi / BlueHDi 115	85	03/14 -
308 SW II	1.6 HDi 92	68	03/14 -
308 SW II	1.6 THP 125	92	03/14 -
308 SW II	1.6 THP 150	110	03/14 -
308 SW II	1.6 THP 155	115	03/14 -
308 SW II	1.6 VTi	85	03/14 -
308 SW II	2.0 BlueHDi 150	110	03/14 -
308 SW II	2.0 GT BlueHDi 180	130	06/17 -
308 SW II	2.0 GT BlueHDi 180	132	06/17 -
308 SW II	2.0 GT HDi 180 / BlueHDi 180	133	06/14 -
308 SW II Box Body / Estate (LC_)	1.6 BlueHDi	73	04/14 -
508 II (FB_)	1.5 BlueHDI 130 (FBYHZJ, FBYHZR)	96	10/18 -
508 II (FB_)	1.6 PureTech 180 (F35GFR)	133	10/18 -
508 II (FB_)	1.6 PureTech 225 (F35GGR)	165	10/18 -
508 II (FB_)	2.0 BlueHDI 160 (FHEHYR)	120	10/18 -

508 II (FB_)	2.0 BlueHDI 180 (FHEHZR, FHEHZN)	130	10/18 -
508 SW II (FE_)	1.5 BlueHDi 130	96	09/18 -
508 SW II (FE_)	1.6 PureTech 180	133	09/18 -
508 SW II (FE_)	1.6 PureTech 225	165	09/18 -
508 SW II (FE_)	2.0 BlueHDi 160	120	09/18 -
508 SW II (FE_)	2.0 BlueHDi 180	130	09/18 -
RIFTER	1.2 PureTech 110	81	09/18 -
RIFTER	1.5 BlueHDi 100	75	09/18 -
RIFTER	1.5 BlueHDi 130	96	09/18 -
RIFTER	1.5 BlueHDi 75 (ECYHW)	55	09/18 -

PEUGEOT (DF-PSA)

Modell	Typ	kW	År
308S Hatchback	1.2 THP	100	04/15 -
308S Hatchback	1.6 THP	123	04/15 -
308S Hatchback	1.6 VTi	86	04/15 -

VAUXHALL

Modell	Typ	kW	År
GRANDLAND X (A18)	1.2 Turbo (75)	96	06/17 -
GRANDLAND X (A18)	1.6 Turbo D (75)	88	06/17 -
GRANDLAND X (A18)	2.0 D (75)	130	10/17 -

OE-nummer

Kompatibla OE-nummer

CITROËN	1609582880
OPEL	3642786
PEUGEOT	1609582880