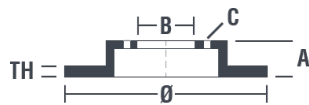


Tekniska data för bromsskivan

Axel Bak	Diameter 290 mm
Total höjd (A) 35 mm	Centreringsdiameter (B) 71 mm
Antal hål (C) 5	Tjocklek (TH) 12 mm
Min. tjocklek 10 mm	Åtdragningsmoment  Nm
Enhet per låda 2	EAN-kod 8020584218990



Enhet per låda
2







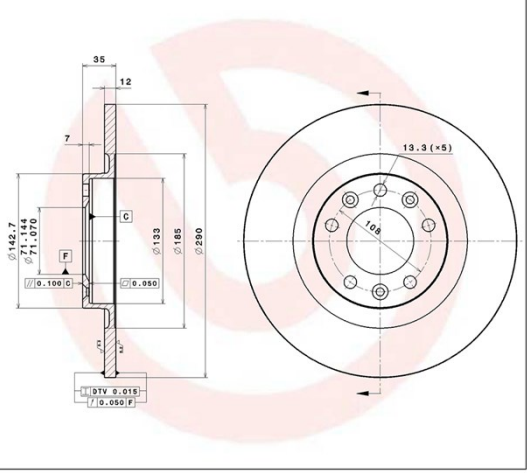
Märkeskoder

Brembo
08.C309.10

AP
15083

Breco
BS 6075

	
08.C309.10	
AP	15083 V-15083
BRECO	BV 6075-BS 6075
DIMENSION	290 x 12 mm
MIN TH	10 mm
BALANCING	GUARANTEED
MATERIAL	SUB-GROUP 1
WEIGHT	4.8 kg
	INSIDE THE BOX 205.5896.21
	08.C309.11
	
DATE : 06/11/2014 VERSION : 00	



Tekniska specifikationer

Bromsskiva med fästskruvar

Genom att skicka med fästskruven i bromsskivans förpackning, ger Brembo en extra hjälp för mekanikern om originalsruven skulle vara rostig eller så sliten att dess återanvändning förhindras eller är svårartad.



Kompatibla fordon

CITROËN			
Modell	Typ	kW	År
C4 Grand Picasso II	1.2 THP 130	96	04/14 -
C4 Grand Picasso II	1.6 BlueHDi 100	73	01/15 -
C4 Grand Picasso II	1.6 BlueHDi 120	88	07/14 -
C4 Grand Picasso II	1.6 HDi / BlueHDi 115	85	09/13 -
C4 Grand Picasso II	1.6 HDi 90	68	09/13 -
C4 Grand Picasso II	1.6 THP 150	110	09/14 -
C4 Grand Picasso II	1.6 THP 155	115	09/13 -

C4 Grand Picasso II	1.6 THP 165	121	07/14 -
C4 Grand Picasso II	1.6 VTi 120	88	09/13 -
C4 Grand Picasso II	2.0 BlueHDi 135	100	09/13 -
C4 Grand Picasso II	2.0 BlueHDi 150	110	09/13 -
C4 Picasso II	1.2 THP 110	81	04/16 -
C4 Picasso II	1.2 THP 130	96	04/14 -
C4 Picasso II	1.6 BlueHDi 100	73	12/14 -
C4 Picasso II	1.6 BlueHDi 120	88	07/14 -
C4 Picasso II	1.6 HDi / BlueHDi 115	85	02/13 -
C4 Picasso II	1.6 HDi 90	68	02/13 -
C4 Picasso II	1.6 THP 150	110	09/14 -
C4 Picasso II	1.6 THP 155	115	02/13 -
C4 Picasso II	1.6 THP 165	121	07/14 -
C4 Picasso II	1.6 VTi 120	88	02/13 -
C4 Picasso II	2.0 BlueHDi 135	100	09/13 -
C4 Picasso II	2.0 BlueHDi 150	110	09/13 -
C4 Picasso II	2.0 i 16V	105	06/13 12/14
C4 SPACETOURER (3D_)	1.2 PureTech 110	81	04/18 -
C4 SPACETOURER (3D_)	1.2 PureTech 130	96	04/18 -
C4 SPACETOURER (3D_)	1.5 BlueHDi 130	96	05/18 -
C4 SPACETOURER (3D_)	1.6 BlueHDi 100	73	04/18 -
C4 SPACETOURER (3D_)	1.6 BlueHDi 120	88	04/18 -
C4 SPACETOURER (3D_)	1.6 THP 165	121	04/18 -
C4 SPACETOURER (3D_)	2.0 BlueHDi 150	110	04/18 -
C4 SPACETOURER (3D_)	2.0 BlueHDi 160	120	04/18 -
GRAND C4 SPACETOURER (3A_, 3E_)	1.2 PureTech 130	96	04/18 -
GRAND C4 SPACETOURER (3A_, 3E_)	1.5 BlueHDi 130	96	05/18 -
GRAND C4 SPACETOURER (3A_, 3E_)	1.6 BlueHDi 100	73	04/18 -
GRAND C4 SPACETOURER (3A_, 3E_)	1.6 BlueHDi 120	88	04/18 -
GRAND C4 SPACETOURER (3A_, 3E_)	1.6 THP 165	121	04/18 -
GRAND C4 SPACETOURER (3A_, 3E_)	2.0 BlueHDi 150	110	04/18 -

GRAND C4 SPACETOURER (3A_, 3E_)	2.0 BlueHDi 160	120	04/18 -
JUMPY (V_)	1.6 BlueHDi 115	85	04/16 -
JUMPY (V_)	1.6 BlueHDi 95	70	04/16 -
JUMPY (V_)	2.0 BlueHDi 150	110	04/16 -
JUMPY Box (V_)	1.6 BlueHDi 115	85	04/16 -
JUMPY Box (V_)	1.6 BlueHDi 95	70	04/16 -
JUMPY Box (V_)	2.0 BlueHDi 120	90	04/16 -
JUMPY Box (V_)	2.0 BlueHDi 150	110	04/16 -
JUMPY Box (V_)	2.0 BlueHDi 180	130	04/16 -
SPACETOURER (V_)	2.0 BlueHDi 120	90	04/16 -

DS

Modell	Typ	kW	År
DS 7 Crossback	1.5 BlueHDi 130	96	09/17 -
DS 7 Crossback	1.6 PureTech 225	165	09/17 -
DS 7 Crossback	2.0 BlueHDi 180	130	09/17 -

OPEL

Modell	Typ	kW	År
GRANDLAND X (A18)	1.2 (75)	96	06/17 -
GRANDLAND X (A18)	1.6 Turbo D (75)	88	06/17 -
GRANDLAND X (A18)	2.0 D (75)	130	11/17 -

PEUGEOT

Modell	Typ	kW	År
3008 SUV (M_)	1.2 PureTech 130	96	05/16 -
3008 SUV (M_)	1.6 BlueHDi 100	73	11/16 -
3008 SUV (M_)	1.6 BlueHDi 115	85	11/16 -
3008 SUV (M_)	1.6 BlueHDi 120	88	05/16 -
3008 SUV (M_)	1.6 THP 165	121	05/16 -
3008 SUV (M_)	2.0 BlueHDi 136	100	11/16 -
3008 SUV (M_)	2.0 BlueHDi 150	110	05/16 -
3008 SUV (M_)	2.0 BlueHDi 180	133	05/16 -
308 II	1.6 GT 205	151	06/14 -
308 II	1.6 GTi	200	06/15 -

308 II	1.6 GTi	184	08/15 -
308 II	1.6 THP	112	09/13 -
308 II	1.6 THP 150	110	03/14 -
308 II	1.6 THP 163	120	06/14 -
308 II	2.0 BlueHDi 150	110	11/13 -
308 II	2.0 GT HDi 180 / BlueHDi 180	133	06/14 -
308 SWII	1.6 GT 205	151	02/15 -
308 SWII	1.6 THP 125	92	03/14 -
308 SWII	1.6 THP 150	110	03/14 -
308 SWII	1.6 THP 155	115	03/14 -
308 SWII	1.6 VTi	85	03/14 -
308 SWII	2.0 BlueHDi 150	110	03/14 -
308 SWII	2.0 GT BlueHDi 180	132	06/17 -
308 SWII	2.0 GT HDi 180 / BlueHDi 180	133	06/14 -
5008 II	1.2	96	12/16 -
5008 II	1.6 BlueHDi 100	73	12/16 -
5008 II	1.6 BlueHDi 115	85	12/16 -
5008 II	1.6 BlueHDi 120	88	12/16 -
5008 II	1.6 THP 165	121	12/16 -
5008 II	2.0 BlueHDi 136	100	12/16 -
5008 II	2.0 BlueHDi 150	110	12/16 -
5008 II	2.0 BlueHDi 180	133	12/16 -
EXPERT Box (V_)	1.6 BlueHDi 115	85	04/16 -
EXPERT Box (V_)	1.6 BlueHDi 95	70	04/16 -
EXPERT Box (V_)	2.0 BlueHDi 120	90	04/16 -
EXPERT Box (V_)	2.0 BlueHDi 150	110	04/16 -
EXPERT Box (V_)	2.0 BlueHDi 180	130	04/16 -
TRAVELLER (V_)	1.6 BlueHDi 115	85	04/16 -
TRAVELLER (V_)	1.6 BlueHDi 95	70	04/16 -
TRAVELLER (V_)	2.0 BlueHDi 150	110	04/16 -
TRAVELLER (V_)	2.0 BlueHDi 180	130	04/16 -

TOYOTA

Modell	Typ	kW	År
PROACE Box (MDZ_)	1.6 D (MDZ2_)	85	02/16 -
PROACE Box (MDZ_)	1.6 D (MDZ9_)	70	02/16 -
PROACE Box (MDZ_)	2.0 D (MDZ3_)	90	02/16 -
PROACE Box (MDZ_)	2.0 D (MDZ4_)	110	02/16 -
PROACE Box (MDZ_)	2.0 D (MDZ6_)	130	02/16 -
PROACE Bus (MPY_)	1.6 D (MPY2_)	85	02/16 -
PROACE Bus (MPY_)	1.6 D (MPY9_)	70	02/16 -
PROACE Bus (MPY_)	2.0 D (MPY4_)	110	02/16 -
PROACE Bus (MPY_)	2.0 D (MPY6_)	130	02/16 -
PROACE Platform/Chassis (MDZ_)	2.0 D (MDZ4_)	110	02/16 -

VAUXHALL

Modell	Typ	kW	År
GRANDLAND X (A18)	1.2 Turbo (75)	96	06/17 -
GRANDLAND X (A18)	1.6 Turbo D (75)	88	06/17 -
GRANDLAND X (A18)	2.0 D (75)	130	10/17 -

OE-nummer**Kompatibla OE-nummer**

CITROËN	1609583080
OPEL	3637360
PEUGEOT	1609583080
TOYOTA	SU001A6145