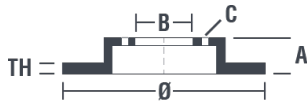


Tekniska data för bromsskivan

Axel Fram	Diameter 289 mm
Total höjd (A) 64,5 mm	Centreringsdiameter (B) 100 mm
Antal hål (C) 6	Tjocklek (TH) 20 mm
Min. tjocklek 18 mm	Åtdragningsmoment  112 Nm
Enhet per låda 2	EAN-kod 8020584015827

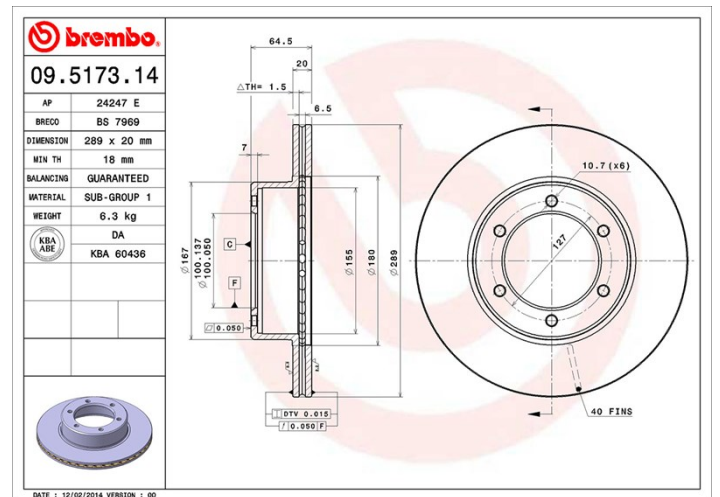


Märkeskoder

Brembo
09.5173.14

AP
24247 E

Breco
BS 7969



Tekniska specifikationer

Kompatibla fordon

GREAT WALL

Modell	Typ	kW	År
SAFE Closed Off-Road Vehicle	2.2	78	05/02 03/06
SAFE Closed Off-Road Vehicle	2.2 All-wheel Drive	78	05/02 03/06
SAFE F1 Closed Off-Road Vehicle	2.2	78	04/06 04/09
SAFE F1 Closed Off-Road Vehicle	2.2 All-wheel Drive	78	04/06 04/09

TOYOTA

Modell	Typ	kW	År
4 RUNNER (_N1_)	2.4 D	66	08/89 11/95
4 RUNNER (_N1_)	3.0 (VZN130_)	105	01/90 10/95
4 RUNNER (_N5_, _N6_, _N7_)	2.4 4WD	82	08/87 07/89

HILUX V Pickup (_N_, KZN1_, VZN1_)	2.4 D 4WD (LN1_)	61	09/88 08/97
HILUX V Pickup (_N_, KZN1_, VZN1_)	2.4 i 4WD (RN106_, RN110_)	84	01/89 07/97
HILUX VI Pickup (_N1_)	2.4 i 4WD (RZN14_, RZN16_, RZN19_)	103	08/97 10/05
HILUX VI Pickup (_N1_)	2.4 TD 4WD (LN165_, LN170_, LN190_)	66	08/98 01/02
HILUX VI Pickup (_N1_)	2.5 D-4D 4WD (KDN165_, KDN170_, KDN190_)	75	11/01 07/05

VW

Modell	Typ	kW	År
TARO	2.4 D 4x4	61	04/89 03/97
TARO	2.4 D 4x4	58	07/94 03/97
TARO	2.4 i 4x4	84	06/89 03/97

OE-nummer

Kompatibla OE-nummer

TOYOTA	4351235110
TOYOTA	4351235190
TOYOTA	43512YE020
VW	J4351235190