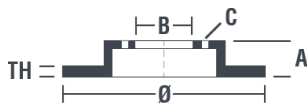


Tekniska data för bromsskivan

Axel Fram	Diameter 257 mm
Total höjd (A) 34 mm	Centreringsdiameter (B) 86 mm
Antal hål (C) 4	Tjocklek (TH) 22 mm
Min. tjocklek 20 mm	Åtdragningsmoment  100 Nm
Enhet per låda 2	EAN-kod 8020584558713

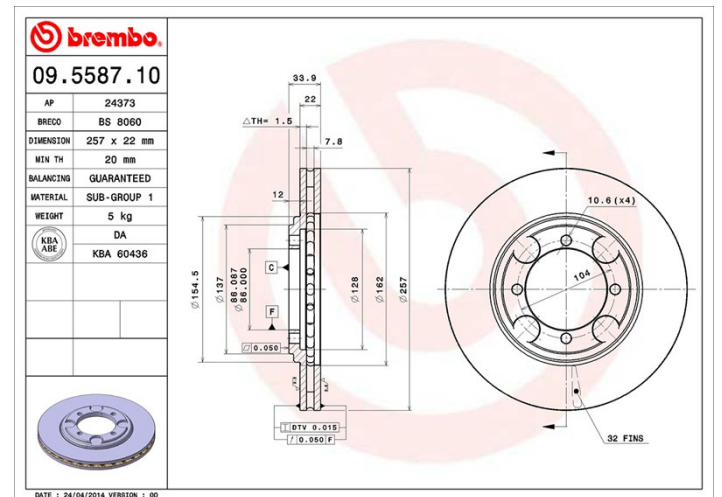


Märkeskoder

Brembo
09.5587.10

AP
24373

Breco
BS 8060



Tekniska specifikationer

Kompatibla fordon

HYUNDAI

Modell	Typ	kW	År
COUPE (RD)	1.6 16V	85	03/98 04/02
COUPE (RD)	1.6 i 16V	84	12/96 04/02
COUPE (RD)	1.8 SX	94	07/96 04/02
COUPE (RD)	2.0 16V	102	08/96 04/02
LANTRA I (J-1)	1.6 i.e. 16V	78	10/90 11/95
LANTRA I (J-1)	1.6 i.e. 16V	84	10/90 11/95
LANTRA I (J-1)	1.8 i.e. 16V	93	10/90 11/95
LANTRA II (J-2)	1.5 12V	65	12/96 09/00
LANTRA II (J-2)	1.6 16V	84	11/95 09/00

LANTRA II (J-2)	1.6 i	66	11/95 09/00
LANTRA II (J-2)	1.8 16V	94	11/95 09/00
LANTRA II (J-2)	1.9 D	50	03/98 09/00
LANTRA II (J-2)	2.0	100	04/97 05/00
LANTRA II (J-2)	2.0 16V	102	08/96 09/00
LANTRA II Estate (J-2)	1.5 12V	65	04/97 10/00
LANTRA II Estate (J-2)	1.6 16V	84	02/96 10/00
LANTRA II Estate (J-2)	1.6 i	66	02/96 10/00
LANTRA II Estate (J-2)	1.8 16V	94	02/96 10/00
LANTRA II Estate (J-2)	1.9 D	50	03/98 10/00
LANTRA II Estate (J-2)	2.0	100	04/97 05/00
LANTRA II Estate (J-2)	2.0 16V	102	11/95 10/00

OE-nummer

Kompatibla OE-nummer

HYUNDAI

5171228300