

Tekniska data för bromsskivan

| | |
|----------------------------------|--|
| Axel Fram | Diameter 255 mm |
| Total höjd (A) 49,2 mm | Centreringsdiameter (B) 55 mm |
| Antal hål (C) 5 | Tjocklek (TH) 25 mm |
| Min. tjocklek 24 mm | Åtdragningsmoment  103 Nm |
| Enhet per låda 2 | EAN-kod 8020584584415 |

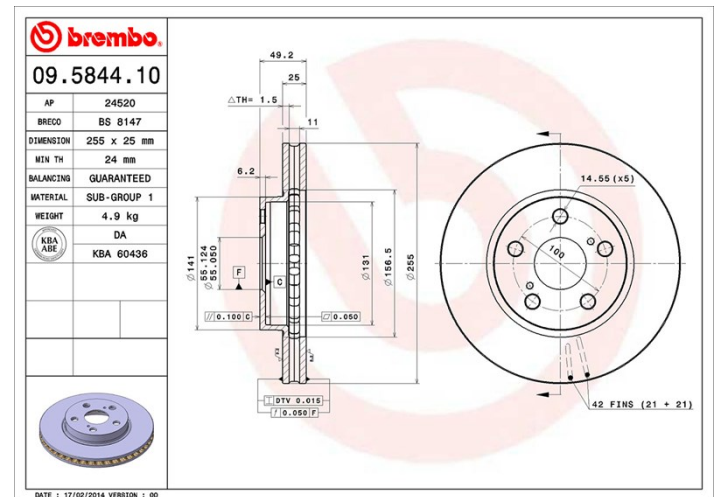


Märkeskoder

Brembo
09.5844.10

AP
24520

Breco
BS 8147



Tekniska specifikationer

Kompatibla fordon

TOYOTA

| Modell | Typ | kW | År |
|-------------------------|------------------|----|-------------|
| CARINA E (_T19_) | 1.6 (AT190) | 73 | 12/93 09/97 |
| CARINA E (_T19_) | 1.6 (AT190) | 85 | 12/93 09/97 |
| CARINA E (_T19_) | 1.6 16V (AT190_) | 78 | 10/95 09/97 |
| CARINA E (_T19_) | 1.6 GLI (AT190) | 79 | 04/92 09/97 |
| CARINA E (_T19_) | 2.0 D (CT190) | 54 | 04/92 01/96 |
| CARINA E Saloon (_T19_) | 1.6 (AT190) | 79 | 01/93 09/97 |
| CARINA E Saloon (_T19_) | 1.6 (AT190) | 73 | 01/95 09/97 |
| CARINA E Saloon (_T19_) | 1.6 (AT190) | 78 | 10/95 09/97 |
| CARINA E Saloon (_T19_) | 1.6 16V (AT190_) | 85 | 12/94 09/97 |

| | | | |
|------------------------------|----------------------|----|-------------|
| CARINA E Saloon (_T19_) | 2.0 D (CT190) | 54 | 08/92 01/96 |
| CARINA E Sportswagon (_T19_) | 1.6 | 85 | 04/92 09/97 |
| CARINA E Sportswagon (_T19_) | 1.6 GLI (AT190_) | 79 | 01/93 09/97 |
| CARINA E Sportswagon (_T19_) | 1.6 i (AT190_) | 73 | 02/95 09/97 |
| CARINA E Sportswagon (_T19_) | 2.0 D (CT190_) | 54 | 01/93 01/96 |
| CELICA Coupe (_T20_) | 1.8 i 16V (AT200/ST) | 85 | 11/93 11/99 |

OE-nummer

Kompatibla OE-nummer

| | |
|--------|------------|
| TOYOTA | 4351220470 |
| TOYOTA | 4351220480 |
| TOYOTA | 4351220700 |
| TOYOTA | 4351221010 |