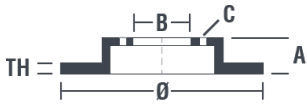


## Tekniska data för bromsskivan

<b>Axel</b> Fram	<b>Diameter</b> 255 mm
<b>Total höjd (A)</b> 49,2 mm	<b>Centreringsdiameter (B)</b> 55 mm
<b>Antal hål (C)</b> 5	<b>Tjocklek (TH)</b> 28 mm
<b>Min. tjocklek</b> 27 mm	<b>Åtdragningsmoment</b>  103 Nm
<b>Enhet per låda</b> 2	<b>EAN-kod</b> 8020584674215

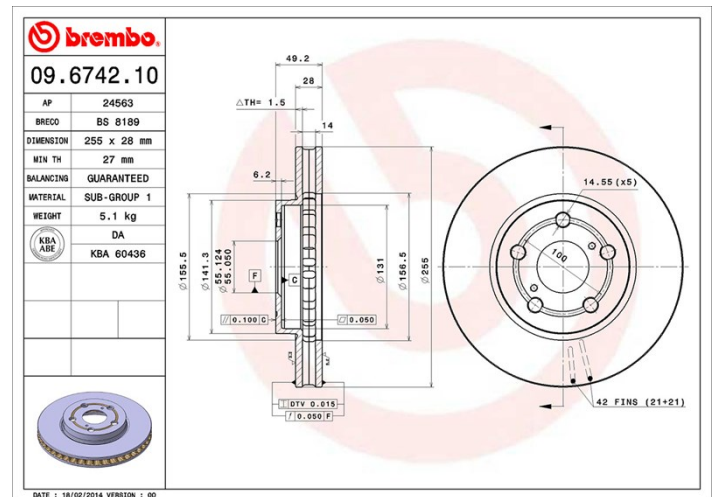


## Märkeskoder

**Brembo**  
09.6742.10

**AP**  
24563

**Breco**  
BS 8189



## Tekniska specifikationer

### Kompatibla fordon

#### TOYOTA

Modell	Typ	kW	År
CARINA E (_T19_)	1.6 (AT190)	73	12/93 09/97
CARINA E (_T19_)	1.6 (AT190)	85	12/93 09/97
CARINA E (_T19_)	1.6 16V (AT190_)	78	10/95 09/97
CARINA E (_T19_)	1.6 GLI (AT190)	79	04/92 09/97
CARINA E (_T19_)	1.8 (AT191)	79	01/95 09/97
CARINA E (_T19_)	2.0 D (CT190)	54	04/92 01/96
CARINA E (_T19_)	2.0 TD (CT190)	61	01/96 09/97
CARINA E Saloon (_T19_)	1.6 (AT190)	79	01/93 09/97
CARINA E Saloon (_T19_)	1.6 (AT190)	73	01/95 09/97

CARINA E Saloon (_T19_)	1.6 (AT190)	78	10/95 09/97
CARINA E Saloon (_T19_)	1.6 16V (AT190_)	85	12/94 09/97
CARINA E Saloon (_T19_)	1.8 i 16V (AT191)	79	01/95 09/97
CARINA E Saloon (_T19_)	2.0 D (CT190)	54	08/92 01/96
CARINA E Saloon (_T19_)	2.0 TD (CT190_)	61	01/96 09/97
CARINA E Sportswagon (_T19_)	1.6	85	04/92 09/97
CARINA E Sportswagon (_T19_)	1.6 GLI (AT190_)	79	01/93 09/97
CARINA E Sportswagon (_T19_)	1.6 i (AT190_)	73	02/95 09/97
CARINA E Sportswagon (_T19_)	1.8 i (AT191_)	79	02/95 09/97
CARINA E Sportswagon (_T19_)	2.0 D (CT190_)	54	01/93 01/96
CARINA E Sportswagon (_T19_)	2.0 TD (CT190_)	61	01/96 09/97

## OE-nummer

### Kompatibla OE-nummer

TOYOTA

4351205010