

## Tekniska data för bromsskivan

**Axel** Fram

**Diameter**  
280 mm

**Total höjd (A)**  
47,3 mm

**Centreringsdiameter (B)**  
69 mm

**Antal hål (C)**  
5

**Tjocklek (TH)**  
26 mm

**Min. tjocklek**  
24,4 mm

**Åtdragningsmoment**   
100 Nm

**Enhet per låda**  
2

**EAN-kod**  
8020584957417

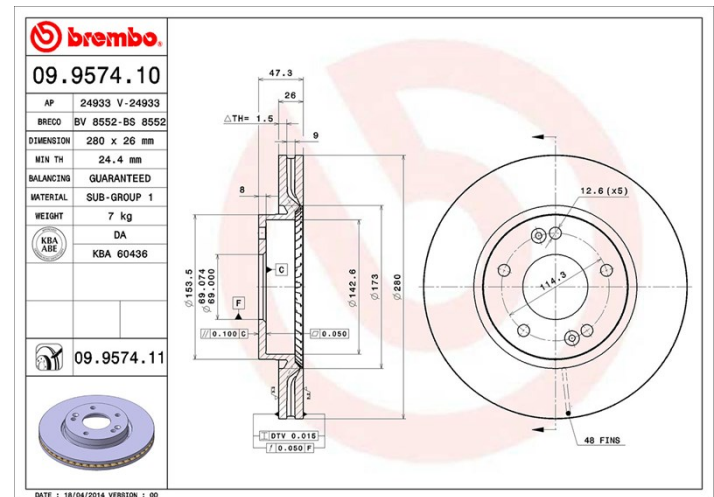


## Märkeskoder

**Brembo**  
09.9574.10

**AP**  
24933

**Breco**  
BS 8552



## Tekniska specifikationer

### Kompatibla fordon

#### CHANGAN

Modell	Typ	kW	År
CS35	1.5	115	02/16 -
CS35	1.6	92	10/12 -

#### HYUNDAI

Modell	Typ	kW	År
COUPE (GK)	1.6 16V	77	03/02 08/09
COUPE (GK)	1.6 16V	79	03/02 08/09
COUPE (GK)	2.0	102	03/02 08/09
COUPE (GK)	2.0	100	08/01 08/09
COUPE (GK)	2.0 GLS	105	02/03 08/09

COUPE (GK)	2.7 V6	121	01/01 08/09
COUPE (GK)	2.7 V6	123	03/02 08/09
SONATA V (NF)	2.0 CRDi	100	02/06 12/10
SONATA V (NF)	2.0 CRDi	103	02/06 12/10
SONATA V (NF)	2.0 CRDi	110	03/09 12/10
SONATA V (NF)	2.0 GLSi	119	07/08 12/10
SONATA V (NF)	2.0 VTi GLS	121	01/08 12/10
SONATA V (NF)	2.0 VTi GLS	106	05/05 12/10
SONATA V (NF)	2.4	119	01/05 12/10
SONATA V (NF)	2.4	128	06/08 12/10
SONATA V (NF)	3.3	171	01/05 12/10
SONATA V (NF)	3.3	184	01/08 12/10
SONATA V (NF)	3.3	173	06/05 12/10
TIBURON Coupe	1.6 CVT	78	10/06 12/08
TIBURON Coupe	2.0 CVT	105	10/06 12/08
TUCSON (JM)	2.0	104	08/04 -
TUCSON (JM)	2.0 All-wheel Drive	105	07/05 11/10
TUCSON (JM)	2.0 All-wheel Drive	104	08/04 03/10
TUCSON (JM)	2.0 CRDi	100	01/06 03/10
TUCSON (JM)	2.0 CRDi	103	01/06 03/10
TUCSON (JM)	2.0 CRDi	88	01/07 03/10
TUCSON (JM)	2.0 CRDi	83	08/04 03/10
TUCSON (JM)	2.0 CRDi All-wheel Drive	100	01/06 03/10
TUCSON (JM)	2.0 CRDi All-wheel Drive	103	01/06 03/10
TUCSON (JM)	2.0 CRDi All-wheel Drive	88	01/07 03/10
TUCSON (JM)	2.0 CRDi All-wheel Drive	83	08/04 03/10
TUCSON (JM)	2.7 All-wheel Drive	129	08/04 -
<b>HYUNDAI (BEIJING)</b>			
Modell	Typ	kW	Är
ELANTRA / YUEDONG	1.6	82	04/08 12/09
ELANTRA / YUEDONG	1.6	90	11/09 -
ELANTRA / YUEDONG	1.8	96	04/08 12/15

MISTRA	1.6 T	129	06/16 -
MISTRA	1.8	105	11/13 -
MISTRA	2.0	114	11/13 -
SONATA (NFC)	2.0	121	12/08 12/12
SONATA (NFC)	2.4	128	12/08 12/12
SONATA (YF)	2.0	121	04/11 02/15
SONATA (YF)	2.0	162	06/12 02/15
SONATA (YF)	2.0	119	12/12 02/15
SONATA (YF)	2.4	127	04/11 02/15
SONATA (YF)	2.4	132	04/11 02/15
TUCSON (JM)	2.0	104	05/05 12/15
TUCSON (JM)	2.0 All-wheel Drive	104	05/05 12/15
TUCSON (JM)	2.7 All-wheel Drive	127	05/05 -

## JAC

Modell	Typ	kW	År
REFINE S5 Closed Off-Road Vehicle	2.0	100	03/13 -
REFINE S5 Closed Off-Road Vehicle	2.0	106	04/15 -

## KIA

Modell	Typ	kW	År
MAGENTIS (MG)	2.0	121	09/09 -
MAGENTIS (MG)	2.0	106	11/05 -
MAGENTIS (MG)	2.0 CRDi	103	04/06 -
MAGENTIS (MG)	2.0 CRDi	110	04/06 -
MAGENTIS (MG)	2.0 CRDi	100	11/05 12/08
MAGENTIS (MG)	2.7	138	11/05 -
MAGENTIS (MG)	2.7 V6	142	07/09 -
SPORTAGE (JE_, KM_)	2.0 16V 4WD	104	09/04 -
SPORTAGE (JE_, KM_)	2.0 CRDi	100	01/06 -
SPORTAGE (JE_, KM_)	2.0 CRDi	103	01/06 -
SPORTAGE (JE_, KM_)	2.0 CRDi	83	02/05 -
SPORTAGE (JE_, KM_)	2.0 CRDi	110	09/07 -

SPORTAGE (JE_, KM_)	2.0 CRDi 4WD	100	01/06 -
SPORTAGE (JE_, KM_)	2.0 CRDi 4WD	103	01/06 -
SPORTAGE (JE_, KM_)	2.0 CRDi 4WD	83	09/04 -
SPORTAGE (JE_, KM_)	2.0 CRDi 4WD	110	09/08 -
SPORTAGE (JE_, KM_)	2.0 i 16V	104	09/04 -
SPORTAGE (JE_, KM_)	2.7 V6 4WD	129	09/04 -

## KIA (DYK)

Modell	Typ	kW	År
FORTE	1.6	90	06/09 11/17
FORTE	2.0	115	06/09 12/12
K3 Saloon	1.4 T	96	04/16 -
K4 / K4 CACHET	1.6	129	09/14 -
K4 / K4 CACHET	1.8	105	09/14 -
K4 / K4 CACHET	2.0	114	09/14 -
K5	2.0	121	03/11 12/12
K5	2.0	119	07/12 -
K5	2.0	180	12/13 -
K5	2.4	132	03/11 -
SPORTAGE II Closed Off-Road Vehicle (JE)	2.0	104	01/09 12/17
SPORTAGE II Closed Off-Road Vehicle (JE)	2.0	101	11/07 12/17
SPORTAGE II Closed Off-Road Vehicle (JE)	2.0 All-wheel Drive	104	10/07 12/17
SPORTAGE II Closed Off-Road Vehicle (JE)	2.7 All-wheel Drive	127	11/07 12/11

## OE-nummer

### Kompatibla OE-nummer

HYUNDAI	517122C000
HYUNDAI	517122E300
HYUNDAI	517123K050
KIA	517121F000
KIA	517122C000
KIA	517123K050