

Tekniska data för bromsskivan

Axel Fram

Diameter
280 mm

Total höjd (A)
47,3 mm

Centreringsdiameter (B)
69 mm

Antal hål (C)
4

Tjocklek (TH)
26 mm

Min. tjocklek
21,1 mm

Åtdragningsmoment 
100 Nm

Enhet per låda
2

EAN-kod
8020584957424

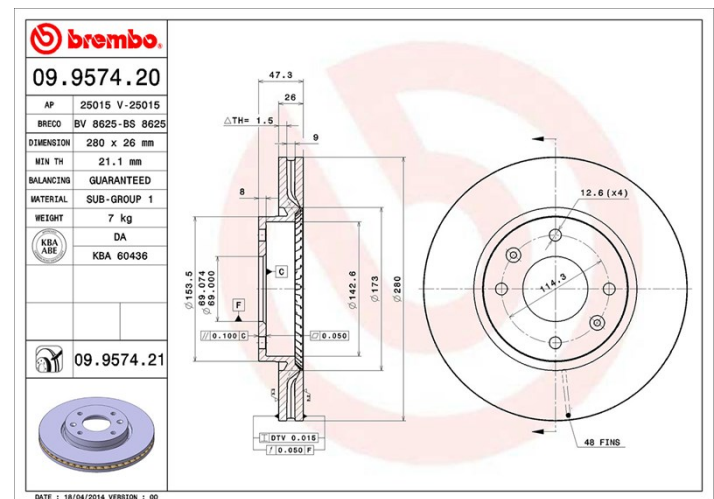


Märkeskoder

Brembo
09.9574.20

AP
25015

Breco
BS 8625



Tekniska specifikationer

Kompatibla fordon

HYUNDAI

Modell	Typ	kW	År
ELANTRA (XD)	1.6	77	05/03 07/06
ELANTRA (XD)	1.6	66	06/00 07/06
ELANTRA (XD)	1.6	79	06/00 07/06
ELANTRA (XD)	1.6	82	09/03 07/06
ELANTRA (XD)	1.8	79	06/00 07/03
ELANTRA (XD)	1.8	97	06/00 07/06
ELANTRA (XD)	1.8	98	11/02 07/06
ELANTRA (XD)	2.0	102	06/00 07/06
ELANTRA (XD)	2.0	104	06/00 07/06

ELANTRA (XD)	2.0	105	10/03 07/06
ELANTRA (XD)	2.0 CRDi	83	04/01 07/06
ELANTRA Saloon (XD)	1.6	77	05/03 05/06
ELANTRA Saloon (XD)	1.6	66	06/00 07/06
ELANTRA Saloon (XD)	1.6	79	06/00 07/06
ELANTRA Saloon (XD)	1.8	79	06/00 07/03
ELANTRA Saloon (XD)	1.8	97	06/00 07/06
ELANTRA Saloon (XD)	2.0	102	06/00 07/06
ELANTRA Saloon (XD)	2.0	104	06/00 07/06
ELANTRA Saloon (XD)	2.0	105	10/03 07/06
ELANTRA Saloon (XD)	2.0 CRDi	83	04/01 07/06
SONATA IV (EF)	2.0 16V	96	10/01 11/04
SONATA IV (EF)	2.7 i V6	132	10/01 05/05
SONATA IV (EF)	2.7 V6	127	10/01 11/04
SONATA IV (EF)	2.7 V6	129	11/02 11/04
HYUNDAI (BEIJING)			
Modell	Typ	kW	År
MOINCA (MING YU)	1.8	95	08/09 12/16
MOINCA (MING YU)	1.8 CNG	95	04/11 12/14
MOINCA (MING YU)	2.0	101	08/08 12/14
SONATA (EF)	2.0	101	12/02 12/10
SONATA (EF)	2.0 LPG	90	01/05 12/06
SONATA (EF)	2.5	121	12/02 07/07
SONATA (EF)	2.7	131	12/02 07/07
KIA			
Modell	Typ	kW	År
MAGENTIS (GD, MS)	2.0	100	05/01 09/05
MAGENTIS (GD, MS)	2.5 V6	124	05/01 -
KIA (DYK)			
Modell	Typ	kW	År
OPTIMA	1.8	94	08/05 12/12
OPTIMA	2.0	101	09/04 12/13

OE-nummer

Kompatibla OE-nummer

HYUNDAI	517123D100
---------	------------

HYUNDAI	517123D300
---------	------------

KIA	517123C000
-----	------------

KIA	517123C100
-----	------------